

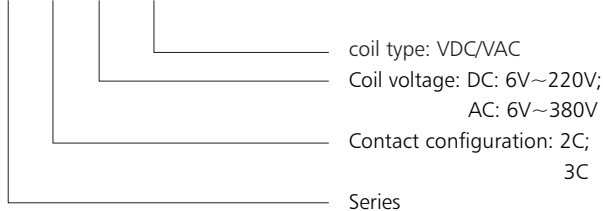
JTX Miniature power relay

1. Features

- 1.1 10A switching current
- 1.2 Various sockets available
- 1.3 Full range of AC and DC coil
- 1.4 Certificate: UL, CE

2. Ordering information

JTX - 2C / 006 / VDC



3. Contact specification

| | | |
|----------------------------|----------------------------|-----------------------|
| Contact Arrangement | | 2C, 3C |
| Initial contact resistance | mΩ | 100 |
| Contact material | | Silver alloy |
| Contact load | | 10A/250VAC, 10A/28VDC |
| Max. switching voltage | VAC | 250 |
| | VDC | 125 |
| Max. switching current | A | 10 |
| Max. switching capacity | VA | 2500 |
| | W | 280 |
| Electrical endurance | Cycles(× 10 ³) | 100 |
| Machanical endurance | Cycles(× 10 ⁶) | 10 |

4. Coil specification

| AC | | | | | DC | | | | |
|---------------|-----------------|-----------------------|-----------------|-------------------|---------------|-----------------|-----------------------|-----------------|-------------------|
| Rated voltage | Holding voltage | Must drop-out voltage | Operating range | Power consumption | Rated voltage | Holding voltage | Must drop-out voltage | Operating range | Power consumption |
| 6 | 80%Un | 30%Un | (80%-110%) Un | 3VA | 6 | 75%Un | 10%Un | (75%-110%) Un | 2W |
| 12 | | | | | 12 | | | | |
| 24 | | | | | 24 | | | | |
| 48 | | | | | 36 | | | | |
| 110 | | | | | 48 | | | | |
| 220 | 110 | | | | | | | | |
| 380 | 220 | | | | | | | | |

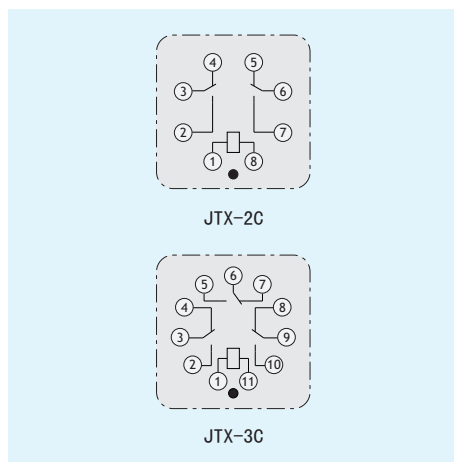


5. Characteristics

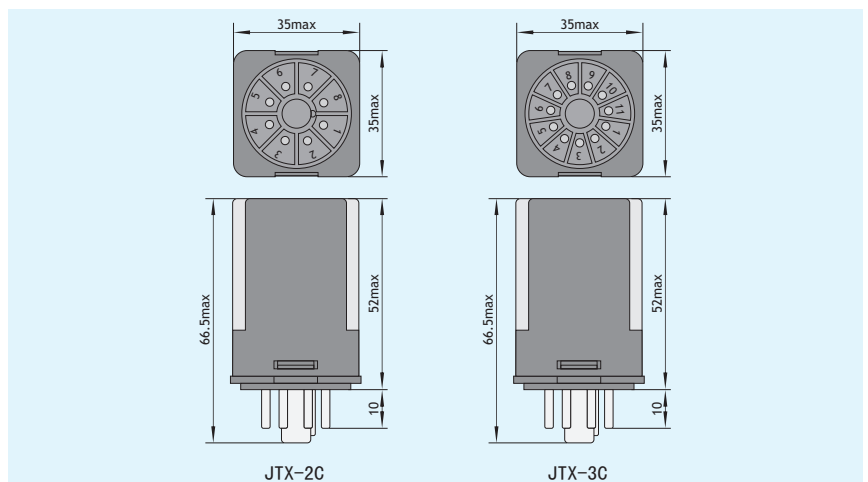
| | | | |
|----------------------------------|-------------------------|------------------|------------------------------|
| Insulation resistance(at 500VDC) | | m Ω | 100 |
| Dielectric strength | Between coil & contacts | | 1500VAC for 1 min |
| | Between open contacts | | 1000VAC for 1 min |
| Operation time | | ms | ≤20 |
| Release time | | ms | ≤20 |
| Shock resistance | | m/s ² | 100 |
| Vibration | | | 10~55Hz,1mm double amplitude |
| Humidity | | | 98% RH at +20℃ |
| Ambient temperature range | | ℃ | -40~+55 |
| Termination | | | Plug-in |
| Dimension | | mm | 35×35×52 |

6. Overall mounting dimensions (mm)

Internal connection (bottom view)



Dimensions

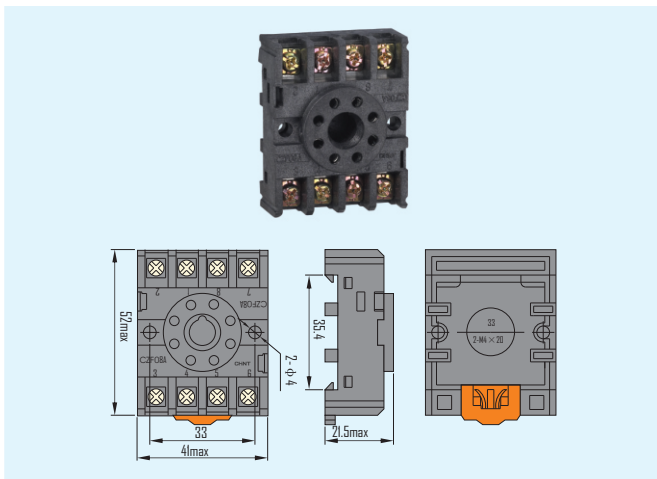


7. Socket

Socket for JTX-2C

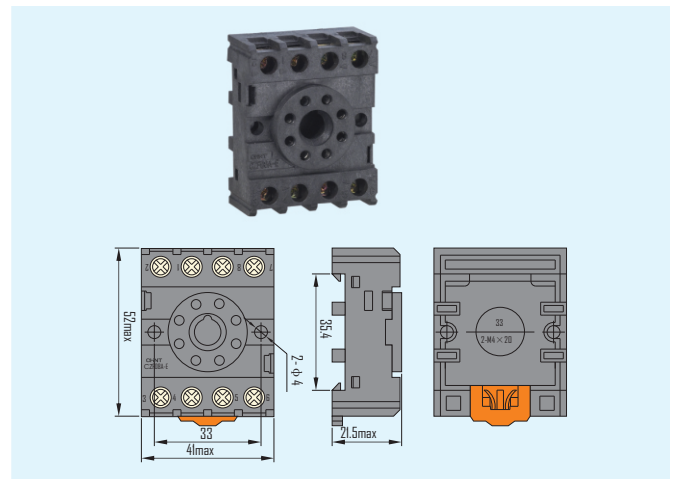
Dimensions: 52×41×21.5 (mm)

CZF08A



Dimensions: 52×41×21.5 (mm)

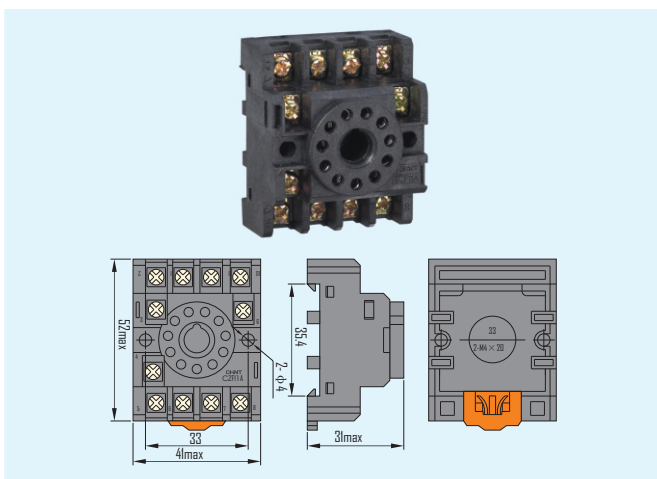
CZF08A-E
with finger proof



Socket for JTX-3C

Dimensions: 52×44×31 (mm)

CZF11A



Dimensions: 52×44×31 (mm)

CZF11A-E
with finger proof

