



FEATURES

- Material: ABS, AS(for clear lid)
- Temperature range: -20℃ - 60℃
- Flammability rating: UL94HB
- Most of 20 series boxes meet IP65 of IEC 60529 dustproof and waterproof requirement
- A wide range of size
- Designed for mounting P.C.B. or DIN rail mounted terminal
- The lid is hinged with the base, and closed by easy lock
- Replacement of solid lid by transparent lid for 20C series
- Custom material and color available (Bone as standard color)

20 series wall-mounting enclosures are small to medium in size and offer cost effective solutions for many applications

NOTE

1. Optional accessories should be ordered separately.
2. We can accept customization of mold on condition that you undertake the cost of the mold
3. For the bigger order (Over 500 pieces), material of ROHS or UL94-V0 is available.
4. A little difference of color may exist for different orders, but we make it similar as possible as we can.

20 wall-mounting enclosure



Assembly of hinge

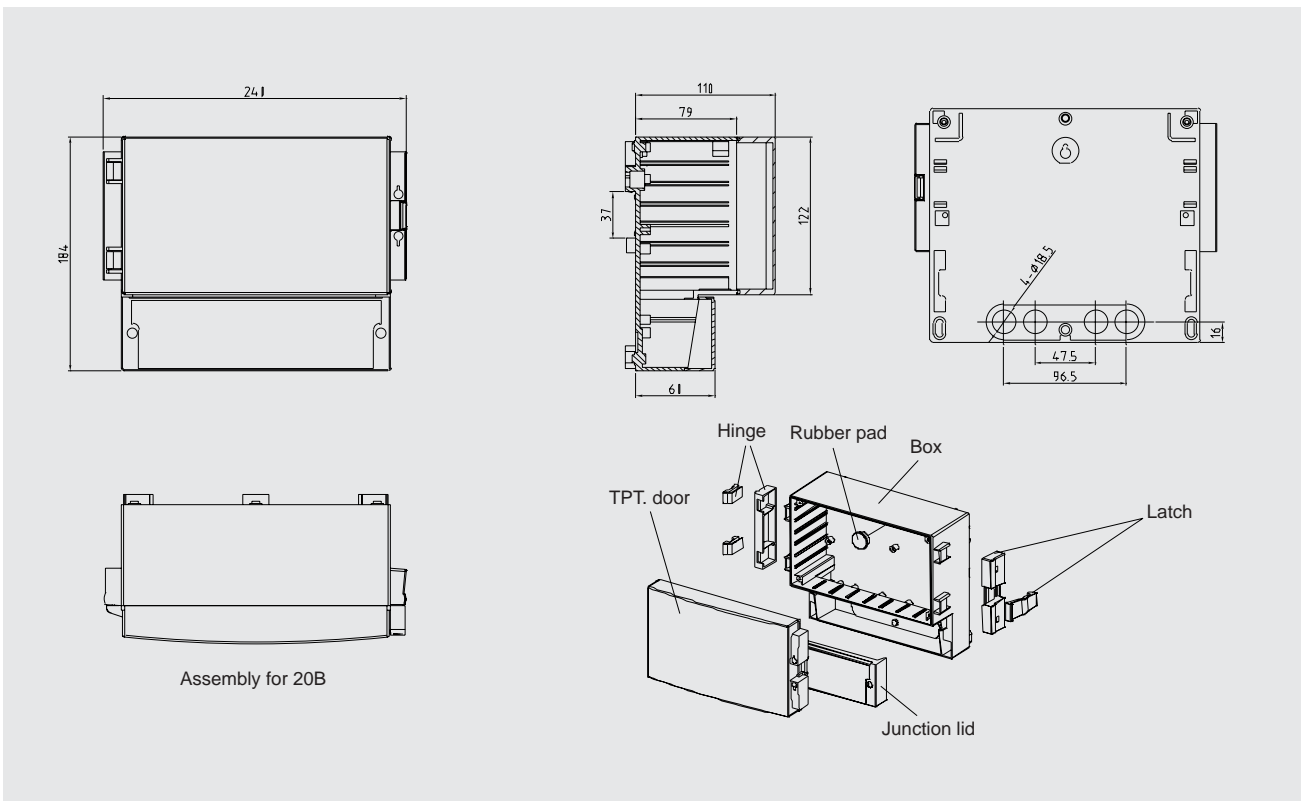


Connector mounting rails

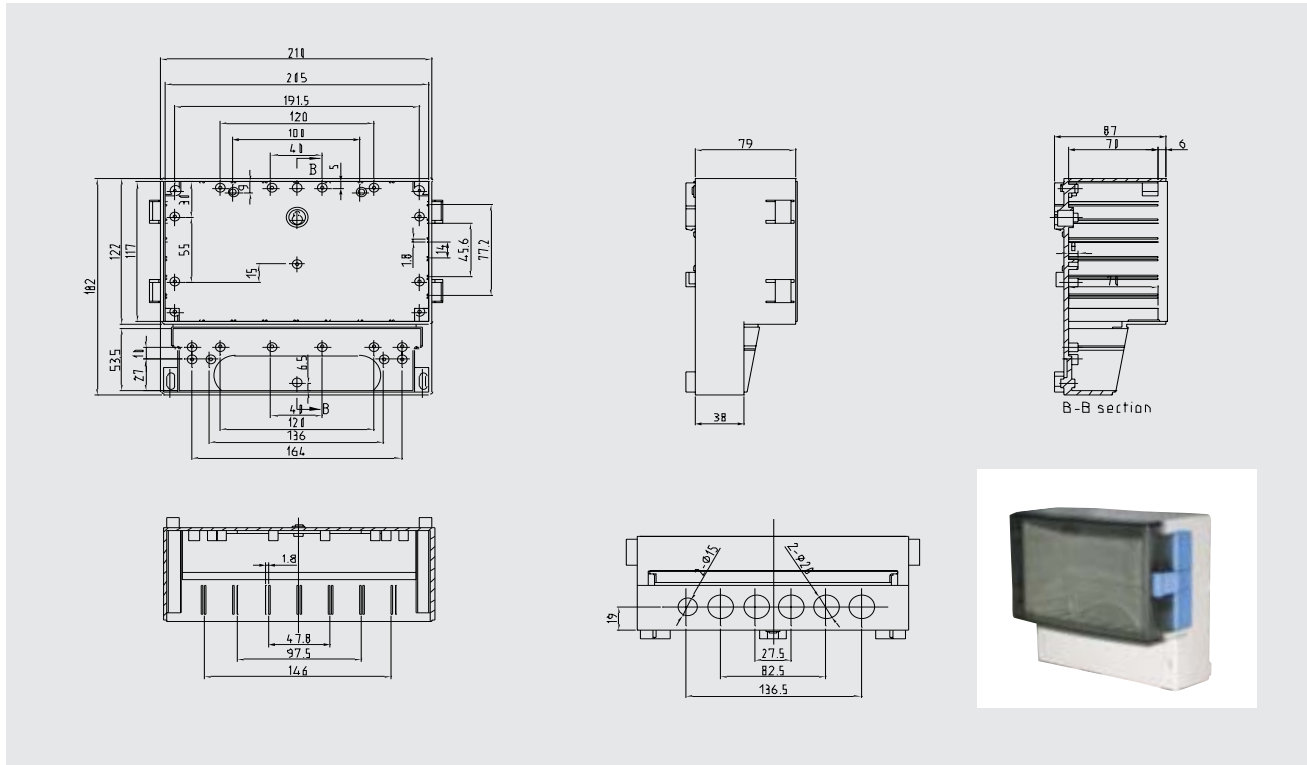


Assembly of lock

Assembly for 20B

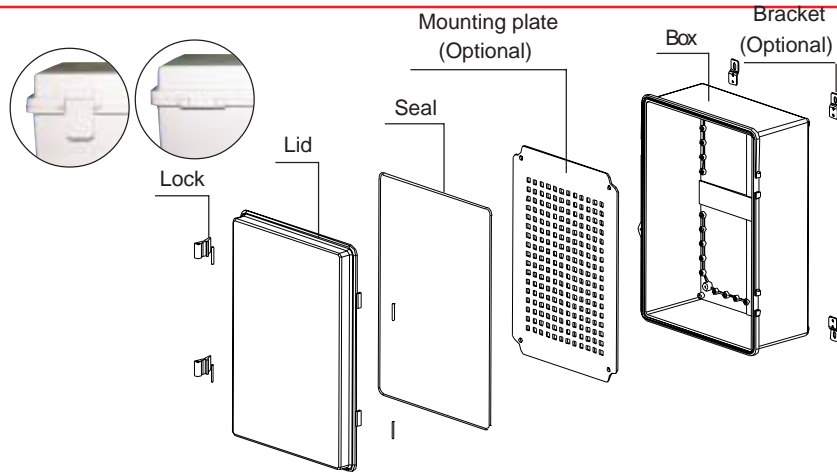


20 wall-mounting enclosure



Size			Indoor		Outdoor	
Length/mm	Width/mm	Height/mm	ABS		PC(PC/ABS)	
			Solid lid	Clear lid	Solid lid	Clear lid
375	258	104	20C-1	20C-1-1	20C-1-PG	20C-1-1-PT
285	188	145	20C-2	20C-2-1	20C-2-PG	20C-2-1-PT
220	148	108	20C-3	20C-3-1	20C-3-PG	20C-3-1-PT
200	100	70	20C-4	20C-4-1	20C-4-PG	20C-4-1-PT
150	100	70	20C-5	20C-5-1	20C-5-PG	20C-5-1-PT
375	258	155	20C-6	20C-6-1	20C-6-PG	20C-6-1-PT
390	270	155	20C-7	20C-7-1	20C-7-PG	20C-7-1-PT
330	330	180	20C-8	20C-8-1	20C-8-PG	20C-8-1-PT

20 wall-mounting enclosure



Unit: mm

	T1	T2	T3	T4	L1	L2	L3	L4	H1	H2
20C-1	375	369	353	340	261	255	233.5	220	31	93
20C-2	273	266	253	210	175	168	156	120	30	110
20C-3	220	214	183	185	150	144	110	113	31	72.5
20C-4	185.7	179.5	166	150	86	80.5	66	-	20	50.5
20C-5	136.5	131	116	100	86.5	80	66	-	20	50.5
20C-6	375	369	355	315	260	254	242	212	31	127
20C-7	390	384	-	-	270	264	-	-	31	127
20C-8	330	310	249	280	330	310	249	280	30	150

Unit: mm

	T	L	H
20C-1	360	240	4
20C-2	257	159	4
20C-3	200	135	4
20C-4	170.5	71.5	4

	T	L	H
20C-5	122	81	4
20C-6	360	245	4
20C-7	378	258	4
20C-8	300	300	4

Assembly for 20D

