

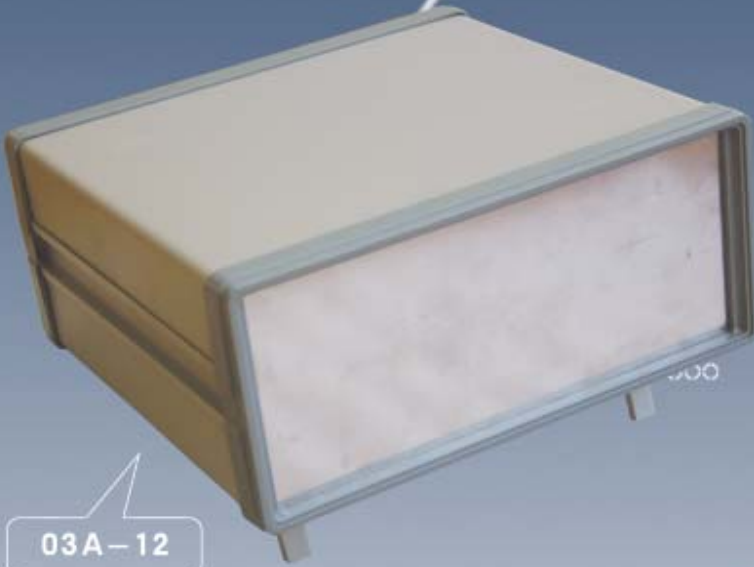


PLASTIC & STEEL ENCLOSURES

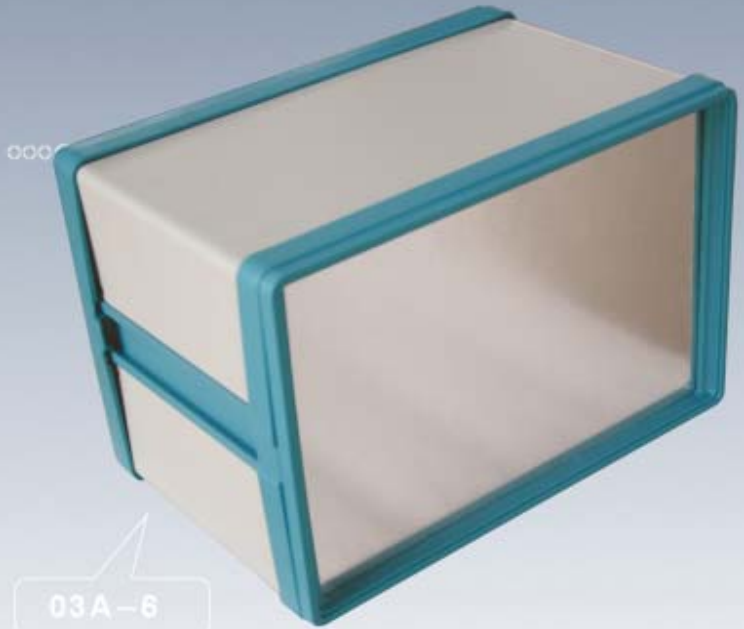
AGS-Electronics, Ph: +1-505-550-6501 or +1-505-565-5102, Fx: +1-505-814-5778,
Em: sales@ags-electronics.com, Web: <http://www.ags-electronics.com>



03A-5



03A-12



03A-6

03 Instrument case system III



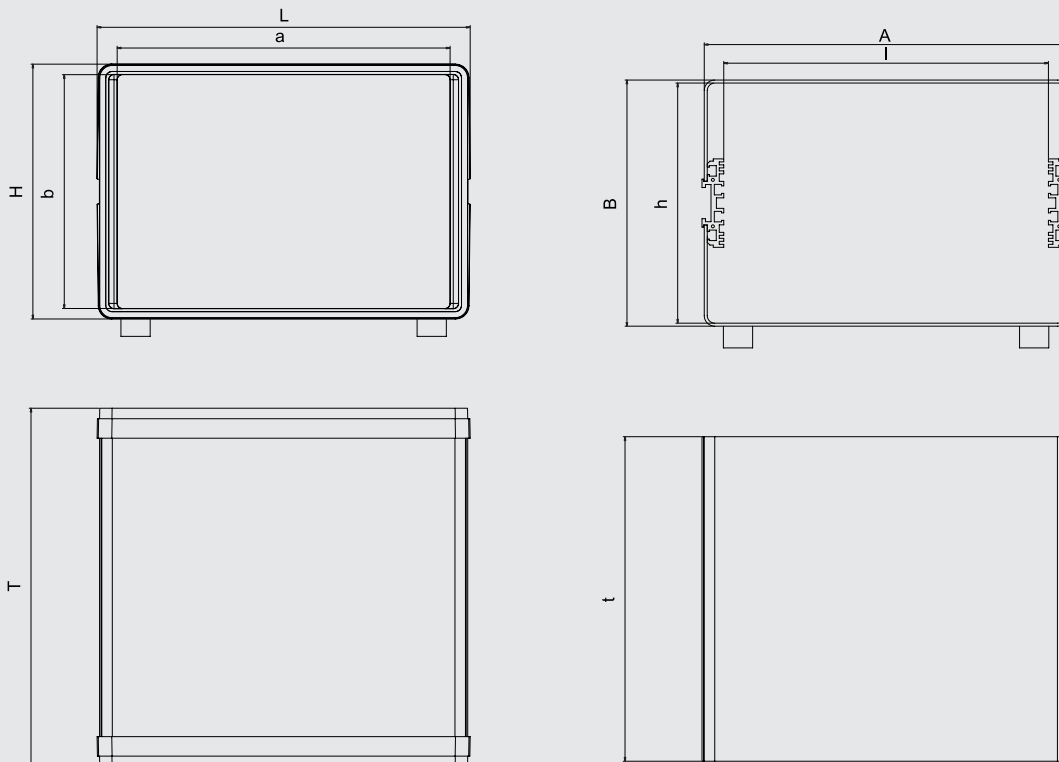
Available size

Unit: mm

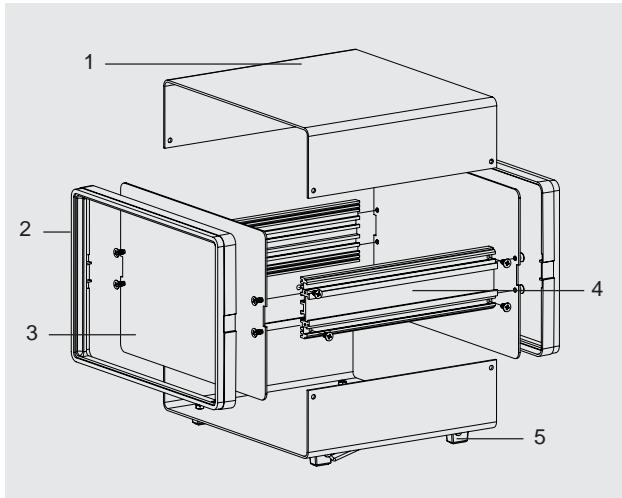
Model	Front panel	Rear panel	Internal size
03A-1	64 × 203.5	64 × 203.5	62 × 179.5 × T
03A-2	121 × 203.5	121 × 203.5	119 × 179.5 × T
03A-3	63.5 × 251.5	63.5 × 251.5	61.5 × 227.5 × T
03A-4	97.5 × 252	97.5 × 252	95.5 × 228 × T
03A-5	121 × 117.5	121 × 117.5	119 × 93.5 × T
03A-6	120 × 273.5	120 × 273.5	118 × 249.5 × T
03A-7	165 × 243	165 × 243	163 × 219 × T
03A-8	100 × 192.5	100 × 192.5	98 × 168.5 × T
03A-12	145 × 193	145 × 193	143 × 169 × T

Note: The dimensions shown in the table are only for reference (may exist ± 0.5mm dimensions variation)
 Custom overall depth available upon request

Drawing



Standard delivery

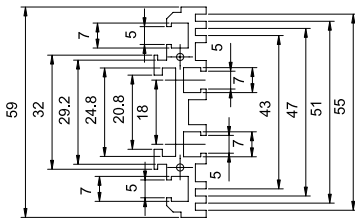


ITEM	PART	QTY	DESCRIPTION
1	Cover	2	1.5mm steel sheet, spary plastic, with vented holes available
2	Frame	2	Moulded in ABS plastic
3	Panel	2	2mm Aluminium sheet, custom cutouts available
4	Side plate	2	Aluminium extrusion, spary plastic
5	Case feet	4	Moulded in PC

Note: Including all kinds of necessary fasteners

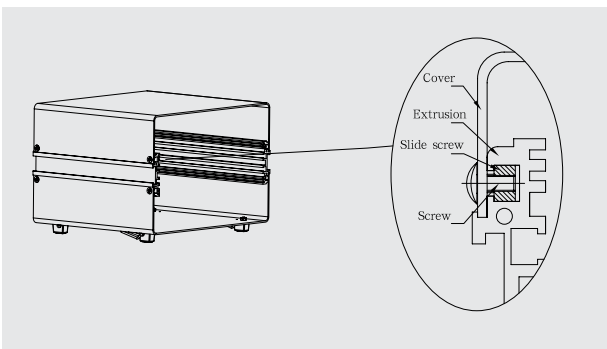
Standard parts

Side plate



- Material: Aluminum extrusion
- Spary plastic

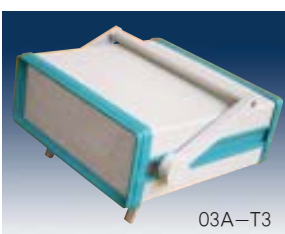
Top / bottom cover



- Material: 1.5mm steel sheet
- Spary plastic
- With vented holes available
- A cover attaches a side plate attaches by screw and slide nut

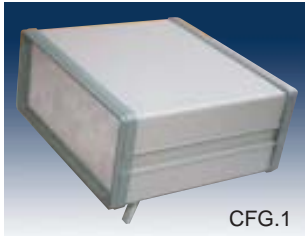
Optional accessories

Carrying handle

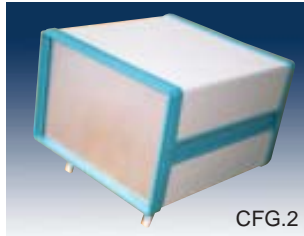


- Model T3 available only

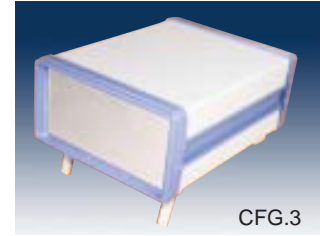
Colors configuration



CFG.1



CFG.2



CFG.3

CFG.	Corner feet	Screw lid	Side panel
1	Mid-gray	Mid-gray	Gray-white
2	Green	Green	Gray-white
3	Blue	Blue	Gray-white
4	Champagne	Champagne	Gray-white
5	Black	Black	Gray-blue
6	Black	Black	Thick-gray

Note: 1. You may provide us with the card of your desired color if specifying the non-standard colors.

How to order

Ordering the enclosures is very simple. You only need to tell us the following information.

1. Model of the enclosure
2. Panel dimensions and depth of enclosure
3. The colors configuration of the enclosure
4. With or without handle
5. Providing us with the drawing if you require secondary tooling or other cut-outs

Example: Model: 03A-4(Panel dimensions: 97.5 × 252,depth of enclosure:240)

With handle

Colors: CFG.1