



14 series PLC enclosures are designed for quick and easy installation for DIN-rail or screw mounting.

FEATURES

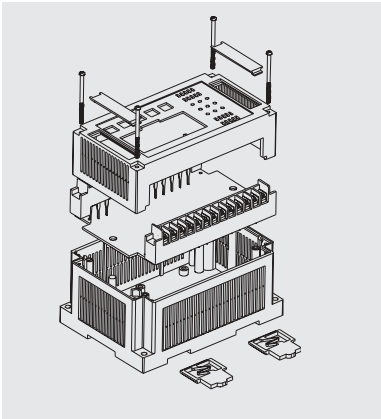
- Material: ABS plastic or PC (Clear lid), POM (mounting kit)
- Temperature range: -20°C ~ 60°C
- Flammability rating: UL94HB(UL94V0 available on requirement)
- Some of enclosures are with terminal blocks for standard delivery
- Offering convenience of assembly or disassembly due to snap-together construction for most of PLC enclosures
- Custom special colors and material available upon request





NOTE

1. we can accept customization of mold on condition that you undertake the cost of the mold
2. For the bigger order(Over 500 pieces), material of ROHS or UL94-V0 is available.
3. A little difference of colors maybe exist for different order, but we make it similar as possible as we can.

14 DIN rail PLC enclosure

14-2series



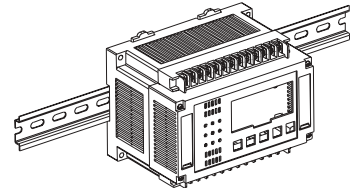
14-2	14-2-1	14-9	14-9-1
2x13pins		2x13 pins	
			
14-2:155x110x110	14-2-1:155x110x110	14-9:155x110x60	14-9-1:155x110x60

FEATURES:

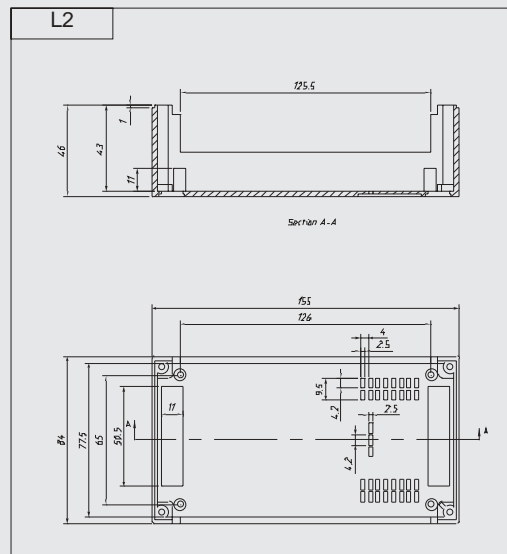
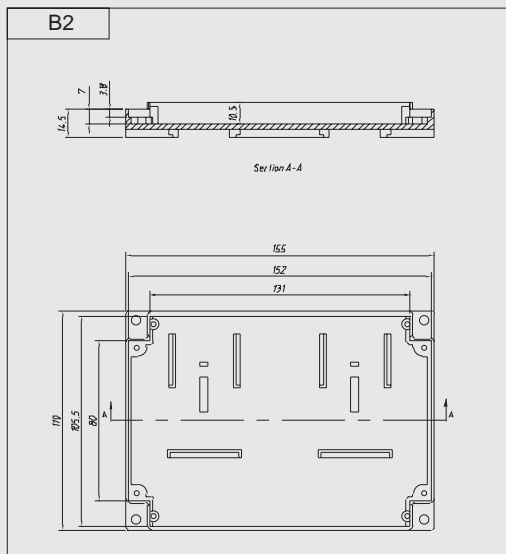
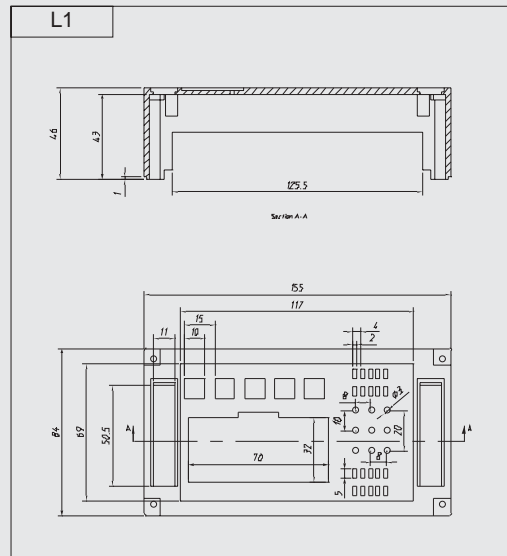
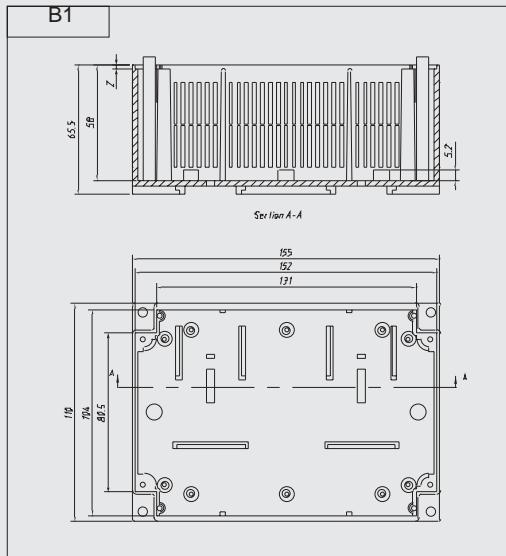
- High and low base, Cut-outs and solid lid
- With terminal (2x13 pins)
- Vented-holes in the four sides

Table of base and lid:

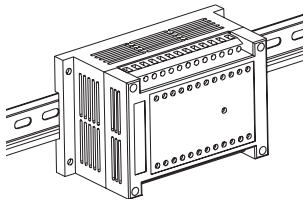
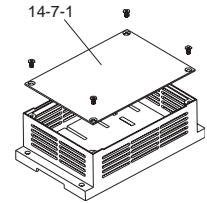
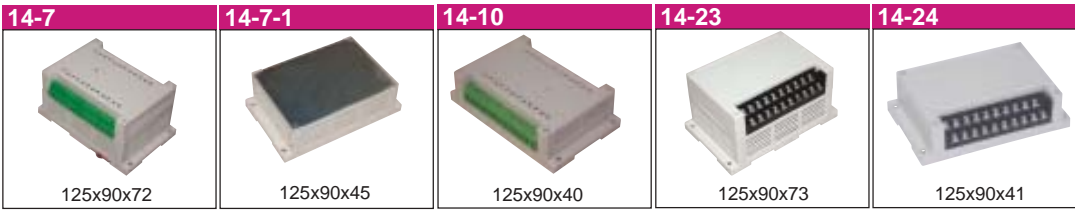
Part	Mdl	14-2	14-2-1	14-9	14-9-1
Base		B1	B1	B2	B2
Lid		L1	L2	L1	L2



Drawings



14-7 series



FEATURES:

- High and low base, one-sided and double-sided lid
- Vented-holes in the four sides
- With terminal of 20 pins for 14-23 and 14-24
- The replacement of the plastic lid by Al. sheet (14-7-1)

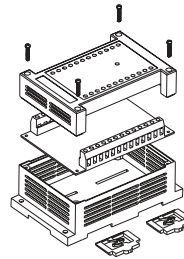
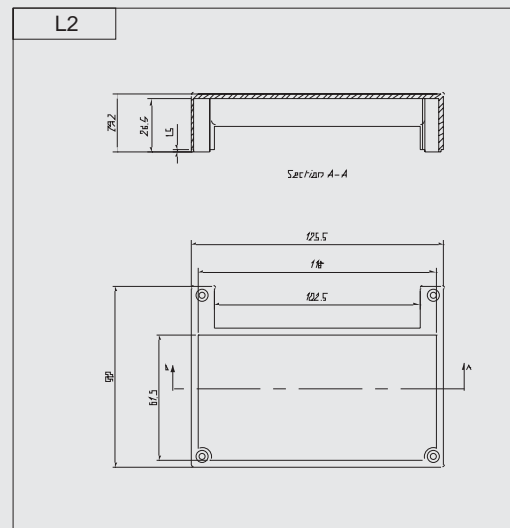
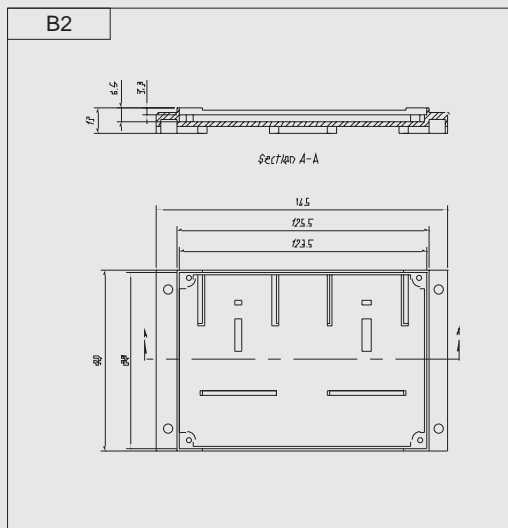
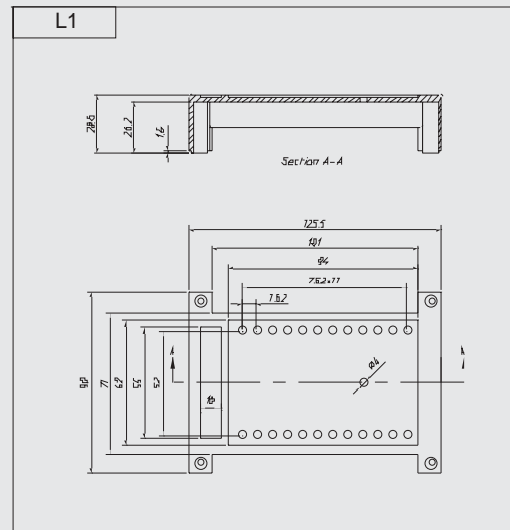
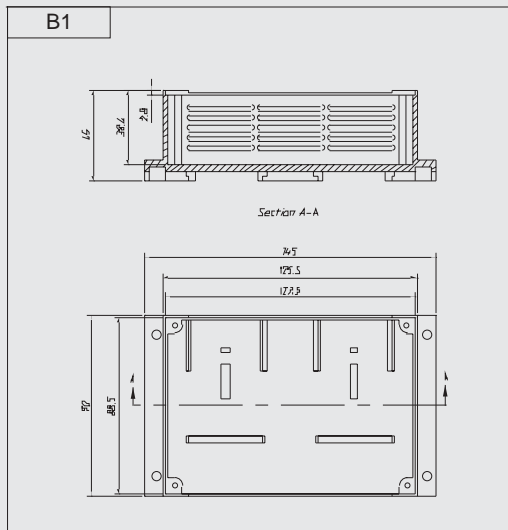


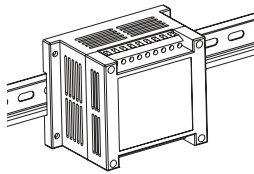
Table of base and lid:

Part	Mdl	14-7	14-10	14-23	14-24	14-7-1
Base		B1	B2	B1	B2	B1
Lid		L1	L1	L2	L2	AL. sheet

Drawings



14-8 series

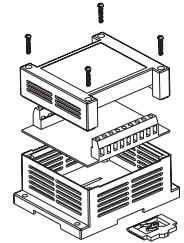


- FEATURES:**
- High and low base, one-sided and double-sided lid, and lid of different cuts-outs
 - Vented-holes in the four sides
 - With terminal of 14 pins for 14-21, 14-22, and 14-26
 - The replacement of the plastic lid by Al. sheet (14-8-1, 14-19-1.)

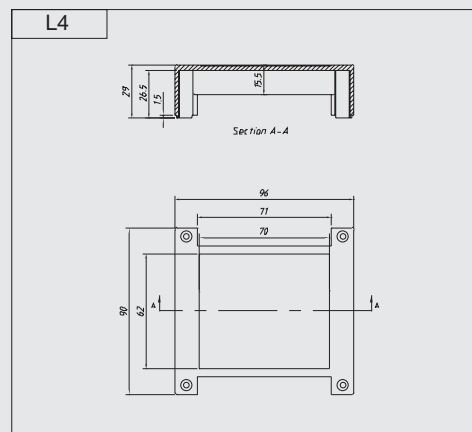
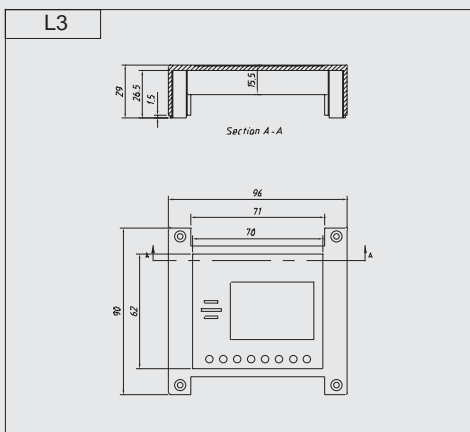
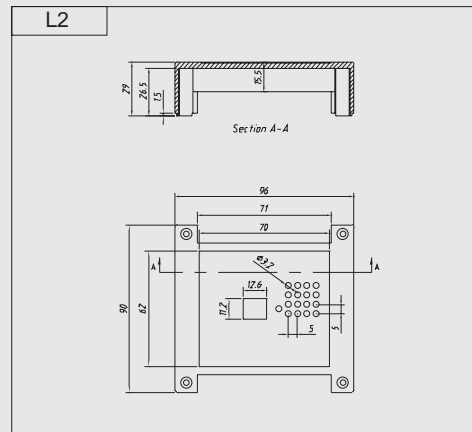
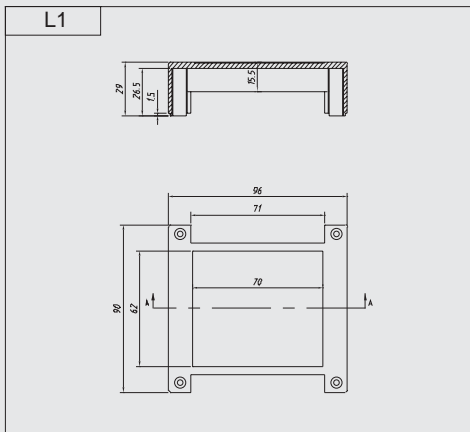
Table of base and lid:

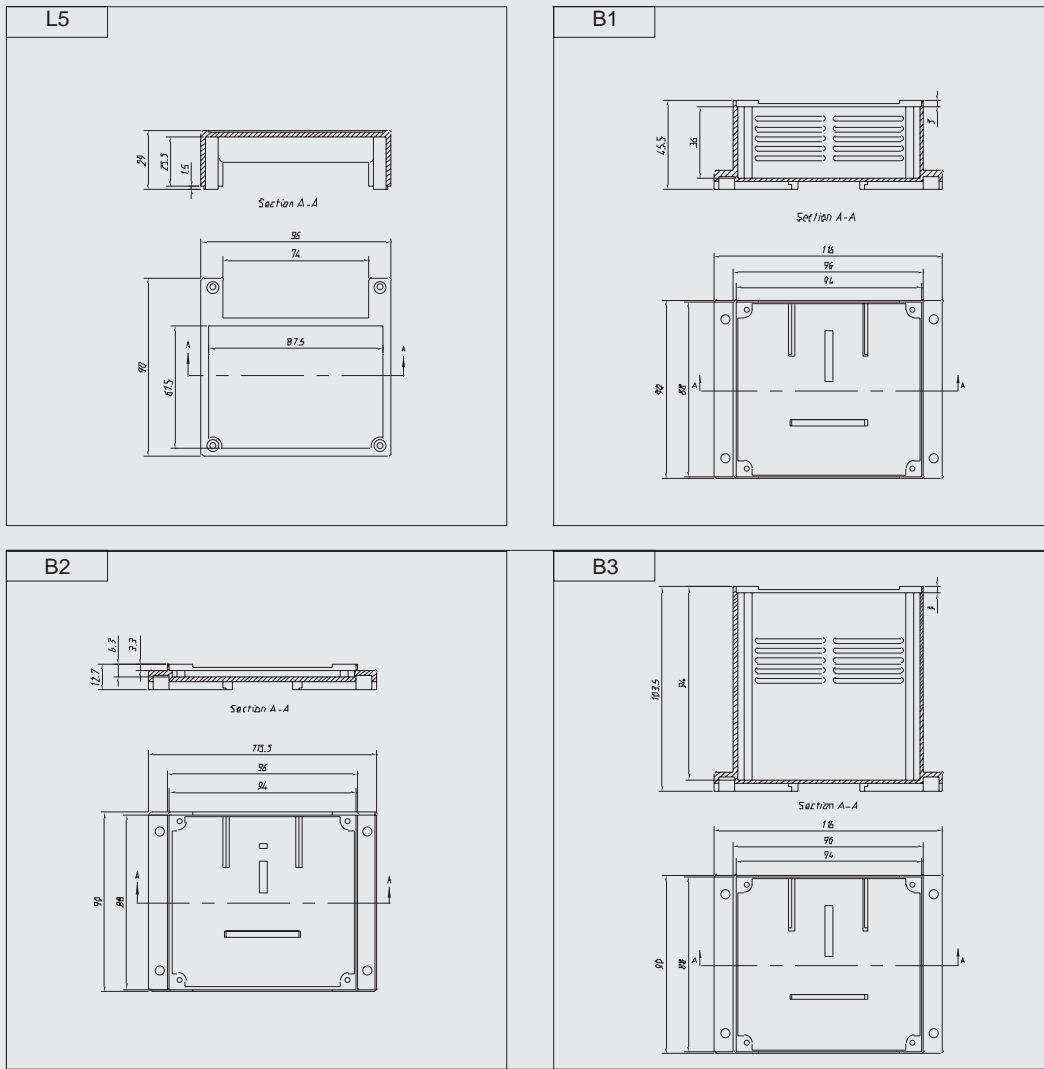
Part	Mdl	14-8	14-8-1	14-8-2	14-8-3	14-8-4	14-11
Base		B1	B1	B1	B1	B1	B2
Lid		L1	AL. sheet	L2	L3	L4	L1

Part	Mdl	14-11-1	14-19	14-19-1	14-21	14-22	14-26
Base		B2	B3	B3	B1	B2	B3
Lid		L2	L1	AL. sheet	L5	L5	L5



Drawings











14-30series



FEATURES:

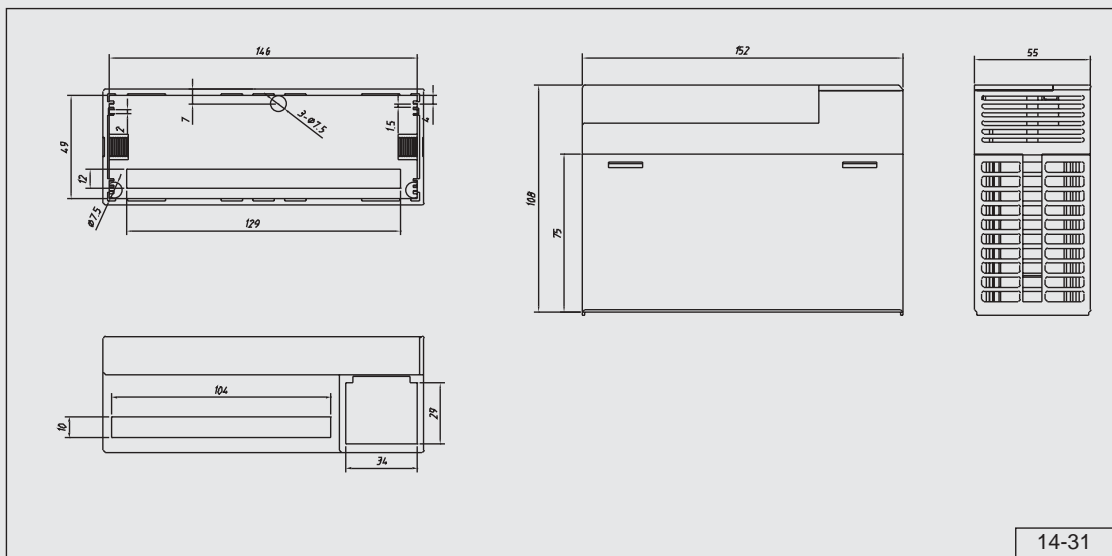
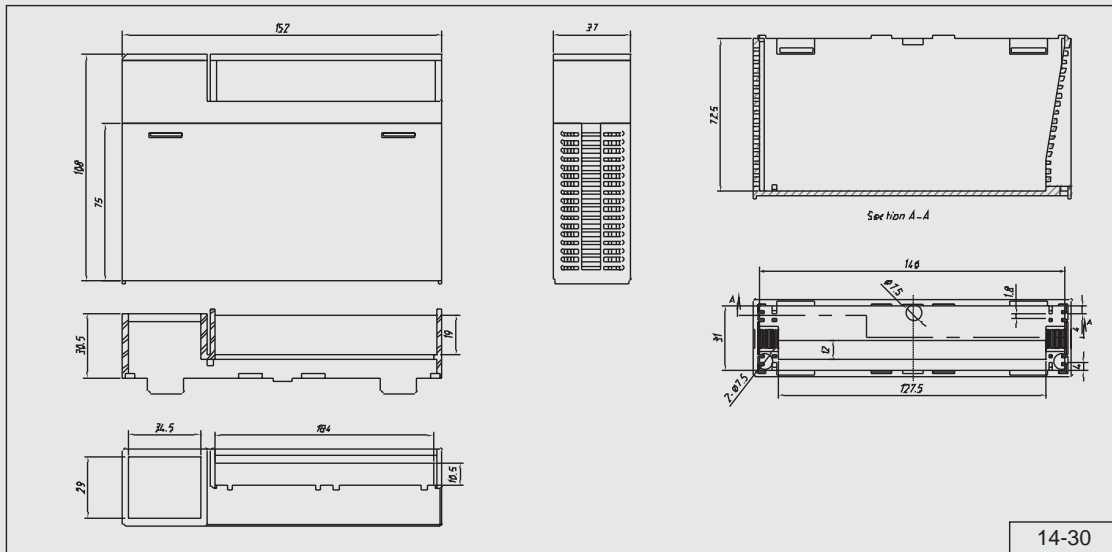
- All of 14-30 series enclosures are moulded in high quality ABS Plastic
- With vented-holes in the four sides of the housing
- Multi-choices of with or without cut-outs for lids
- Each housing can be mounted two P.C.B.(Max. thickness 1.8mm)
- The lid snaps onto the housing without screws
- 14-30 and 14-35 have transparent covers to attach label of terminal
- The housing screws in to the additional steel base plate
- We can accept special color and material on request

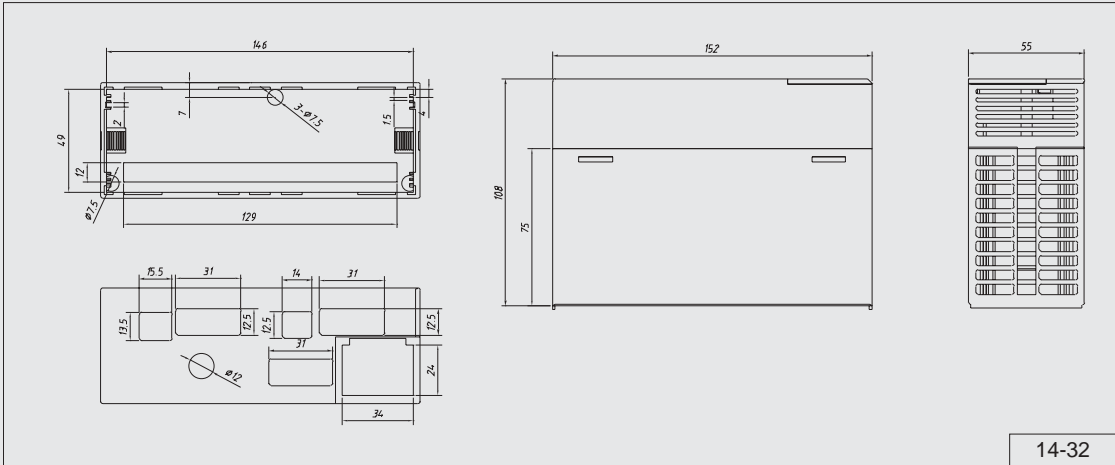
14 DIN rail PLC enclosure

14-30	14-31	14-32	14-35	14-36	14-37
					
152x37x108	152x55x108	152x55x108	152x55x108	152x55x108	152x55x108

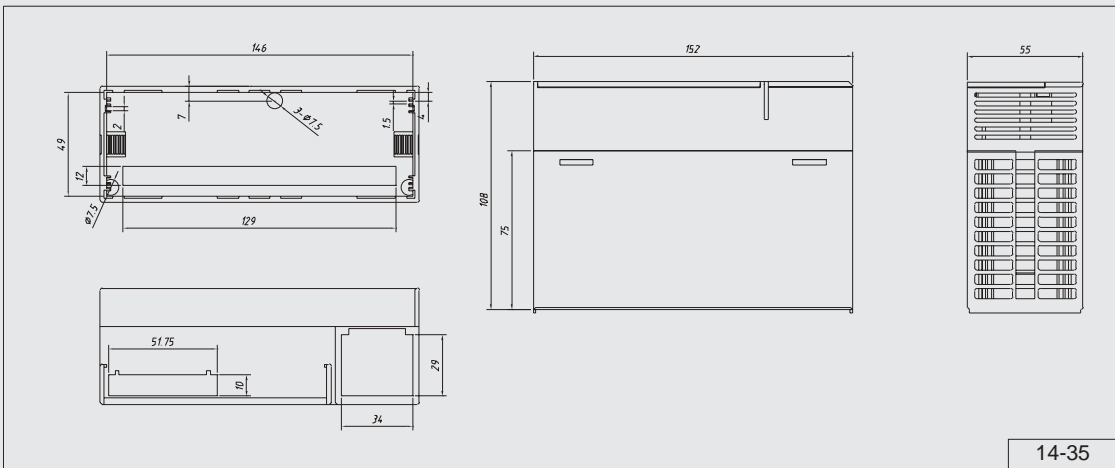


Drawings

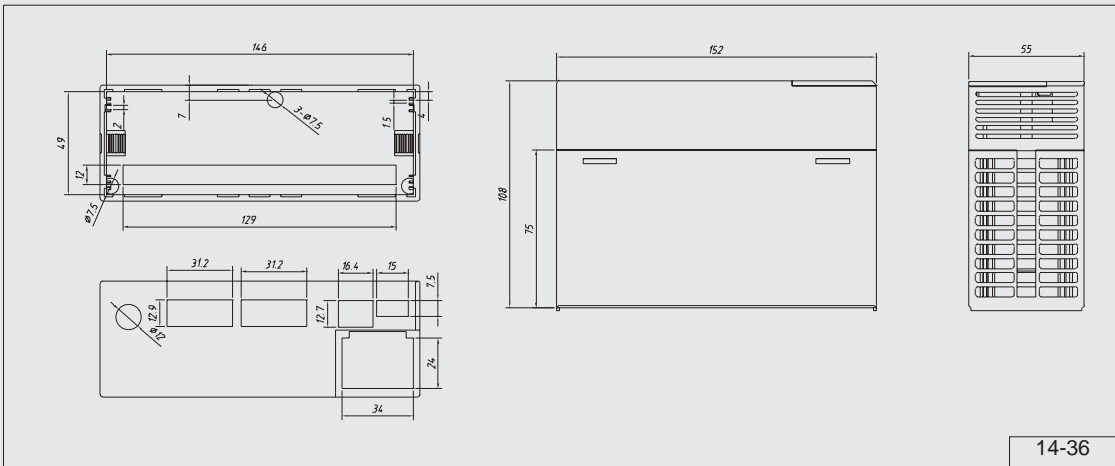




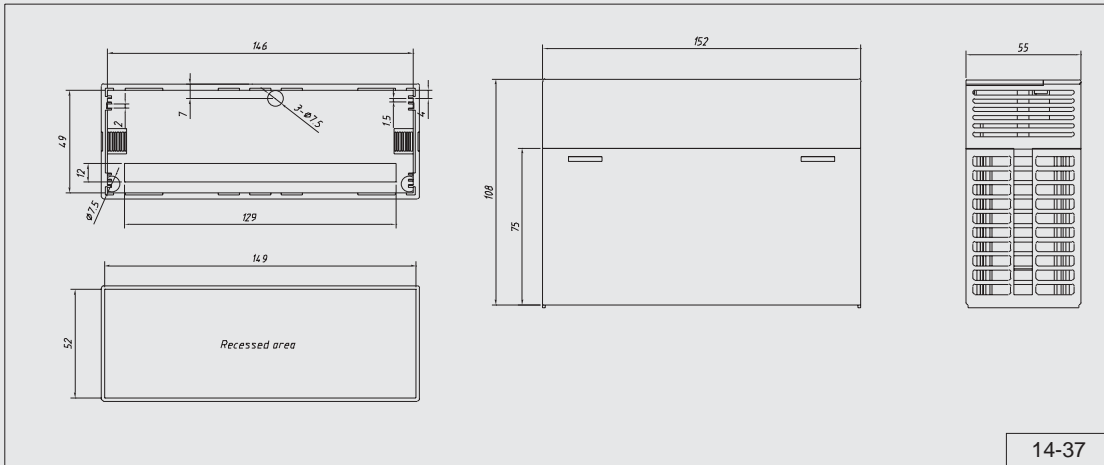
14-32



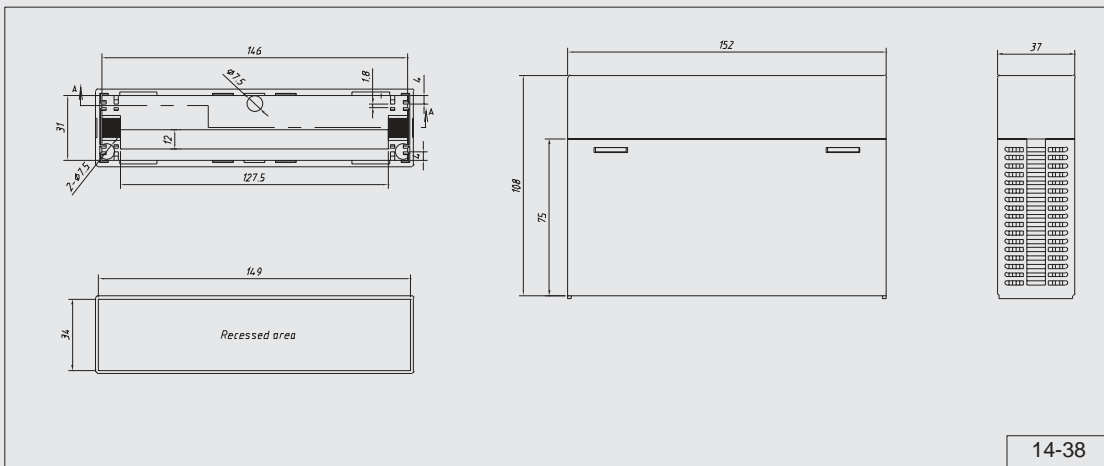
14-35



14-36

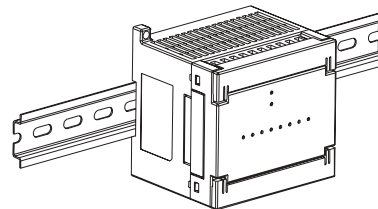
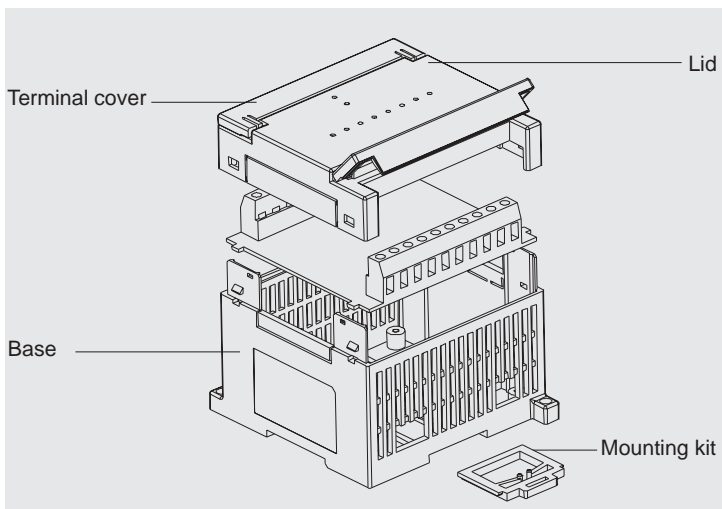


14-37



14-38

14-41 series



FEATURES:

- High and low base, solid and transparent lid
- With vented-holes in the two sides of the base
- Multi-choices of with or without cut-outs for lids
- Each housing can be mounted three P.C.B
- The lid snaps onto the housing without screws
- 35mm DIN rail mounting
- We can accept special color and material on request

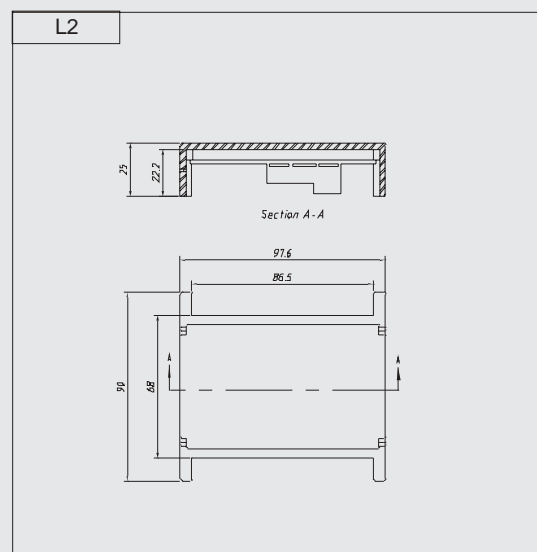
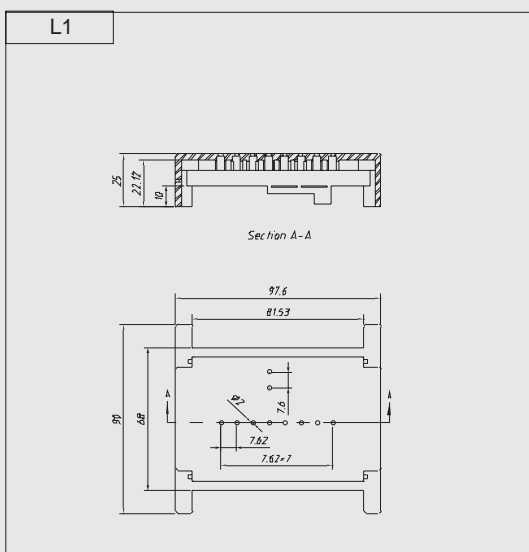
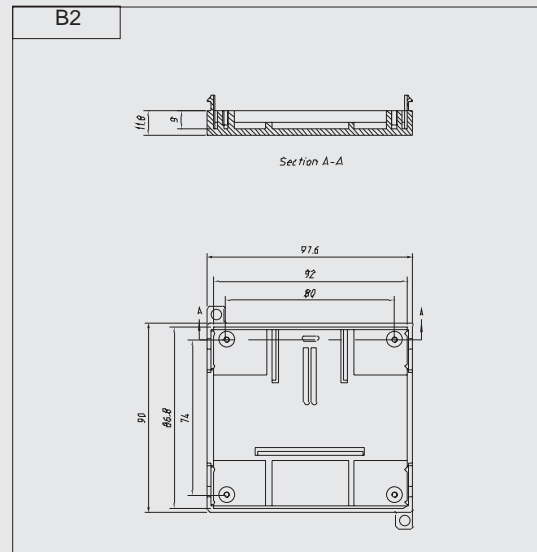
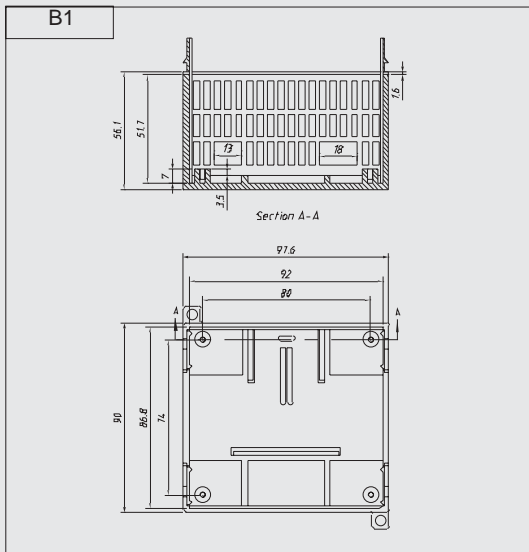
14 DIN rail PLC enclosure



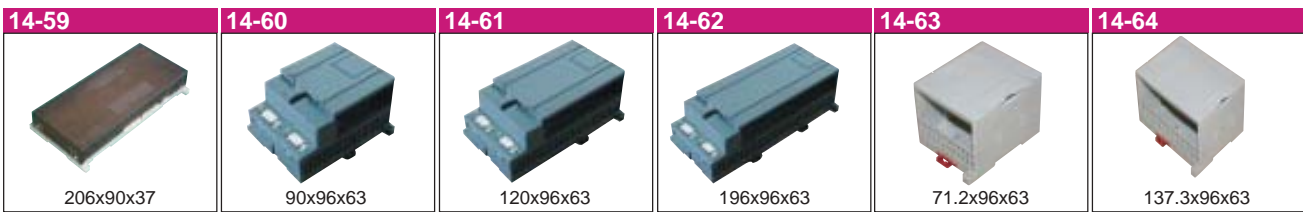
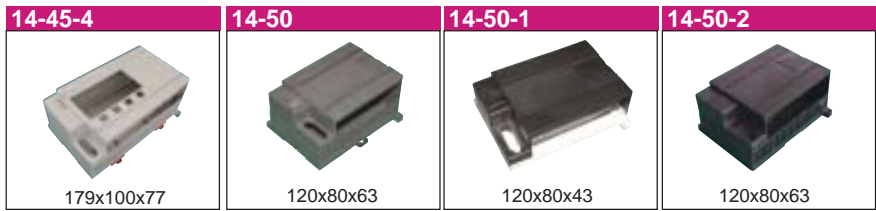
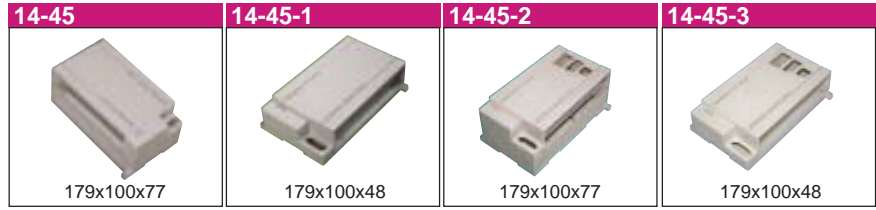
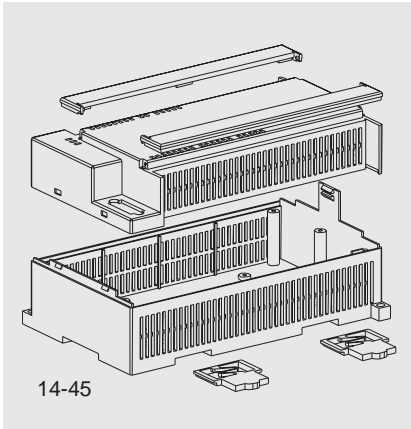
Table of base and lid:

Part	Mdl	14-41	14-41-1	14-41-2	14-41-3	14-41-4
Base		B1	B1	B2	B2	B2
Lid		L1	L2(transparent)	L2((transparent)	L1	L2

Drawings

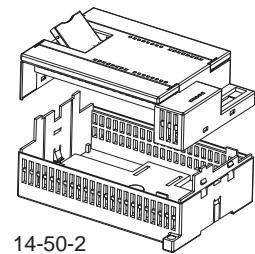


14-45 series

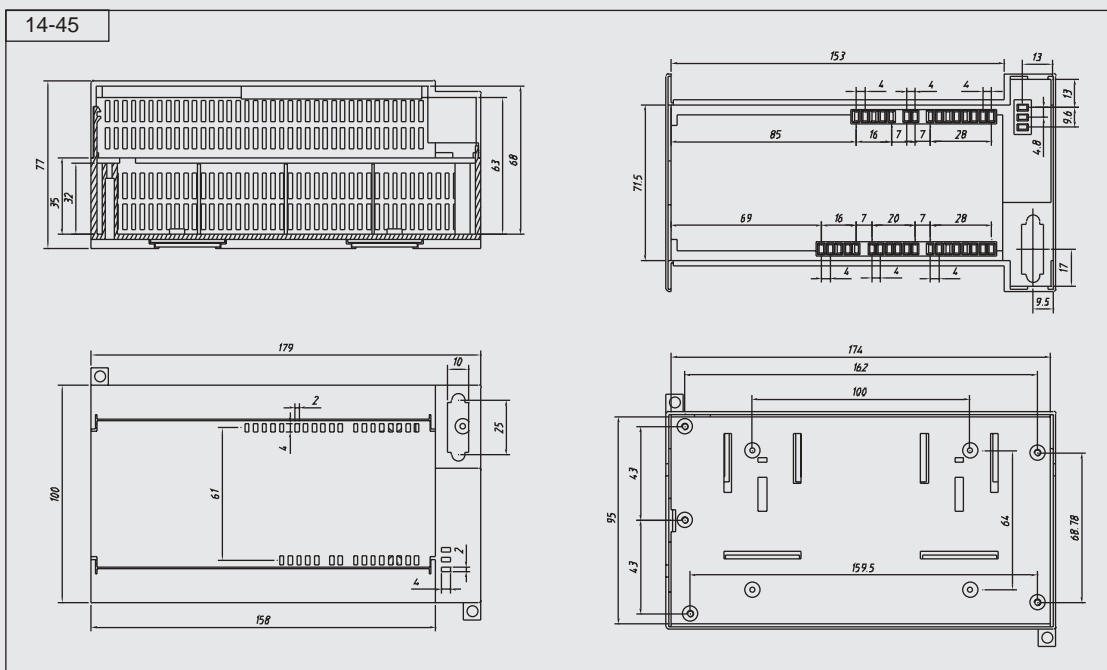


FEATURES:

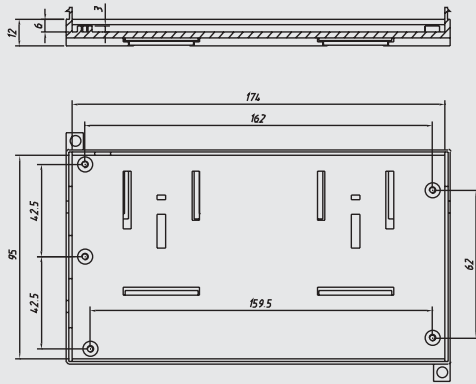
- Moulded in high quality ABS plastic
- With vented-holes in the two sides of the base
- Most of 14-45 series have light pipes
- With a cut-outs for DB9
- The lid snaps onto the housing without screws
- 35mm DIN rail mounting
- We can accept special color and material on request



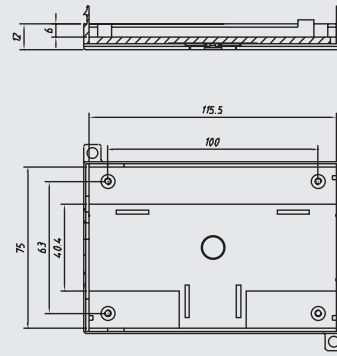
Drawings



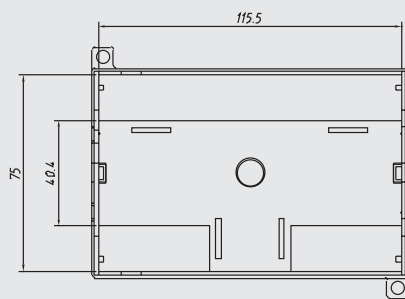
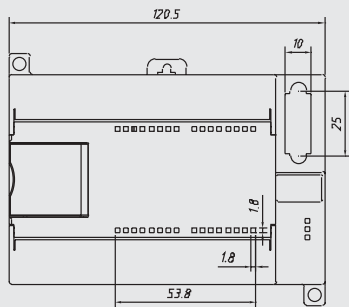
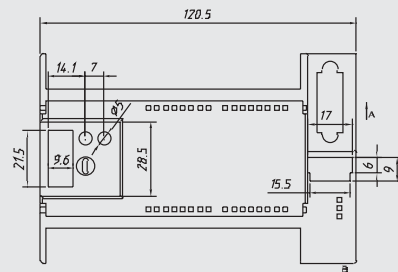
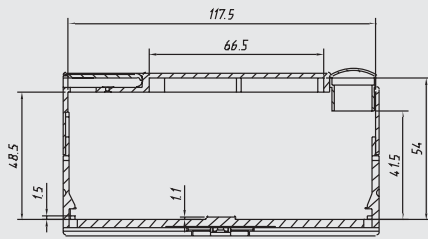
14-45-1



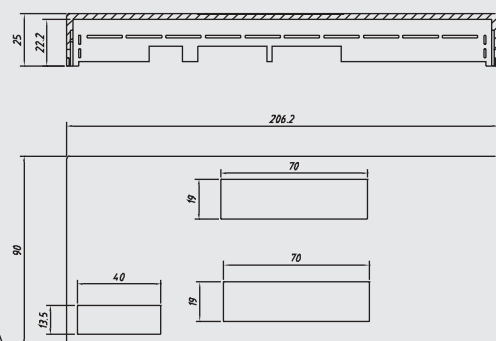
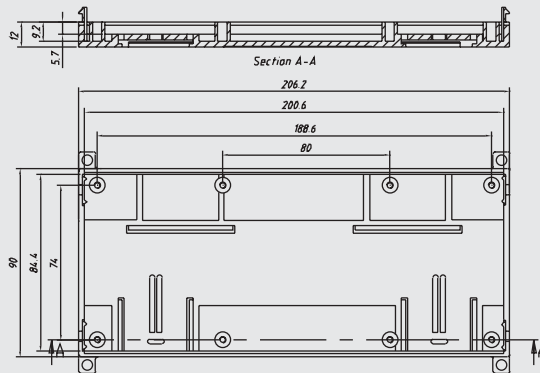
14-50-1

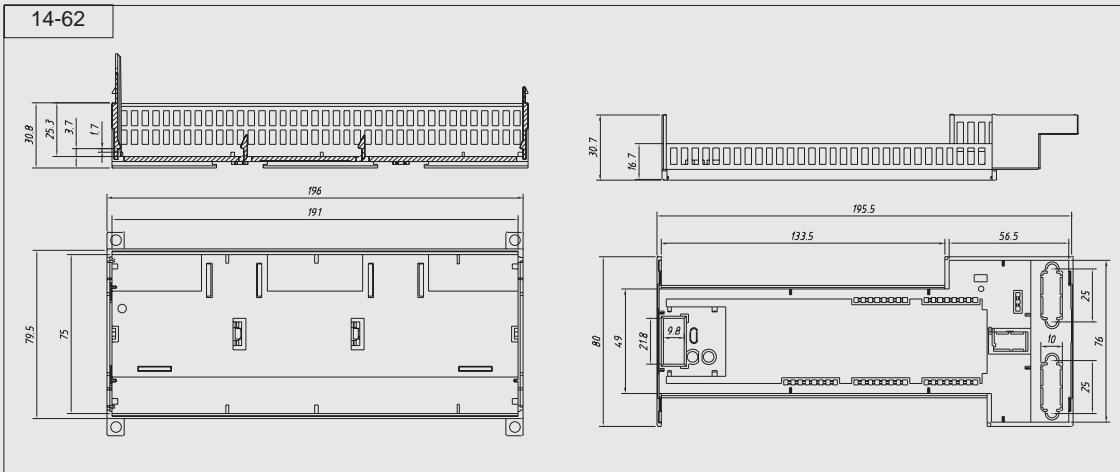


14-50

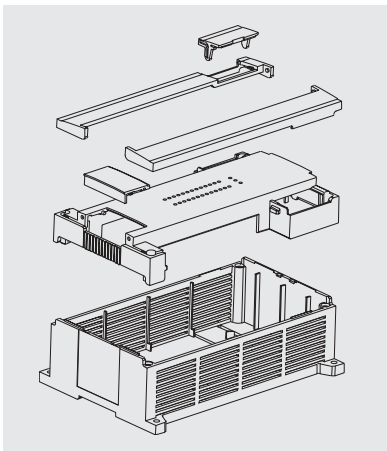


14-59



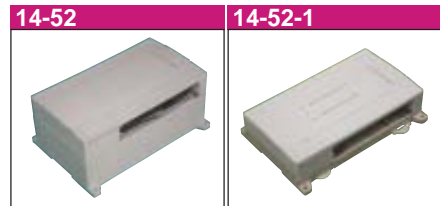


14-52 series



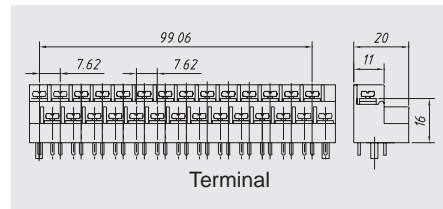
FEATURES:

- choice of high and low housing
- With vented-holes in the two sides of the base
- With terminal of 7.62mm pitch (2x28 pins)
- Each housing can be mounted two P.C.B
- The lid snaps onto the housing without screws
- 35mm DIN rail mounting
- 14-52-1 shares in lid with 14-52
- We can accept special color and material on request



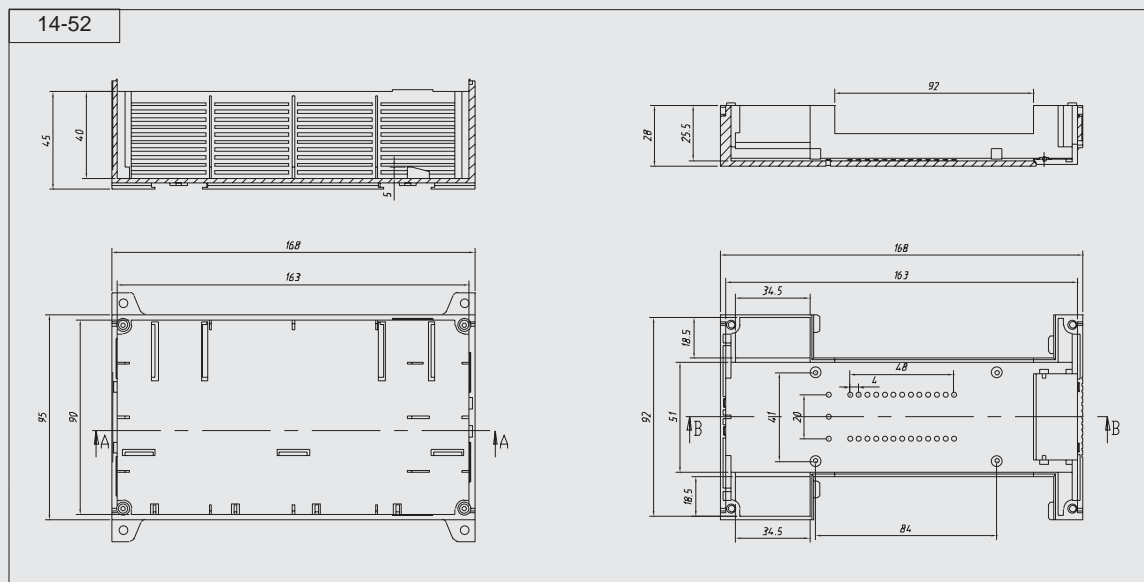
14-52:168x95x73

14-52-1:168x95x40


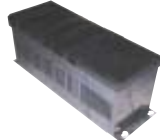











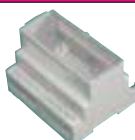





Terminal

Drawings



Others

14-1  2x29pins 300x110x110	14-3  2x18pins 162x93x103	14-4  400x270x200	14-5  295x118x125	14-16  200x110x72	14-17  300x165x123
14-18  135x140x85	14-20  350x140x100	14-27  300x110x58	14-28  250x110x100	14-46  158x88x30°'58.5	14-47  107x88x30°'58.5
14-48  71x88x30°'58.5	14-49  36x88x30°'58.5	14-51  250x110x110	14-54  55x91x75	14-55  106x91x75	14-56  160x91x75
14-33  130x136x37	14-34  130x136x37	14-53  130x115x40	14-58  146x33x45		

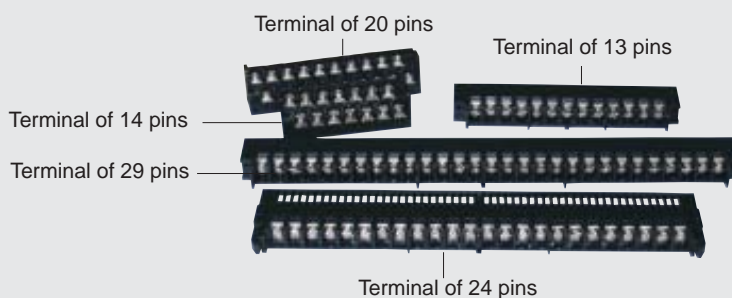
Accessories



Mounting kit



Transparent terminal cover



Light pipes(suitable for 14-45 series)