



11 series Die-cast aluminium boxes are small to medium in size and use all aluminium alloy construction

FEATURES

- Material: Die-cast aluminium
- Most of 11A and 11B series boxes meet IP65 of IEC 60529 dustproof and waterproof requirement
- A wide range of size
- Designed for mounting P.C.B. or DIN rail mounted terminal
- Sand-blast finish of terminal boxes is painted in bone, as well as baking finish of amplifier boxes is mid-grey
- EMI shielding
- Construction with carbon fins for 11B series boxes
- Stainless steel screws
- Standard delivery:
1 box, 1 lid, 4 or 6 screws, 1 Seal
(some of 11B series include shielding-ring)





NOTE

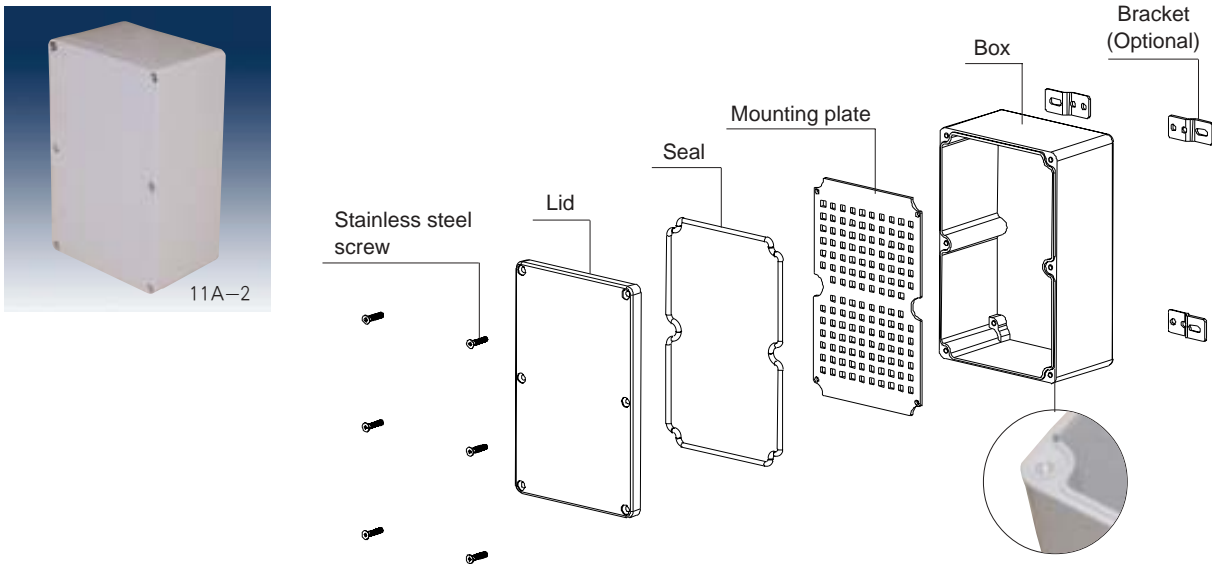
1. *Optional accessories should be ordered separately.*
2. *we can accept customization of mold on condition that you undertake the cost of the mold*
3. *For the bigger order(Over 500 pieces), material of ROHS or UL-V0 is available.*
4. *A little difference of colors maybe exist for different order, but we make it similar as possible as we can.*

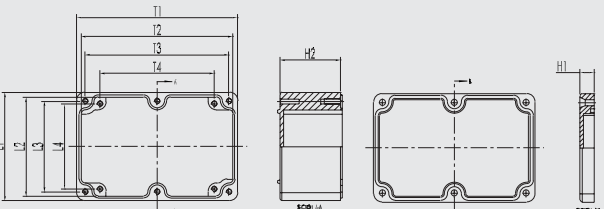
11 Sealed aluminum enclosure

Die-cast terminal block box

 11A-1:222x146x55	 11A-2:187x120x80	 11A-3:120x80x55	 11A-4:222x146x78	 11A-5:58x64x35	 11A-10:160x100x65
 11A-12:120x120x83	 11A-16:150x100x80	 11A-17:240x160x100	 11A-18:80x80x55	 11A-19:100x70x55	 11A-20:150x63x35

Assembly drawing for die-cast terminal block box



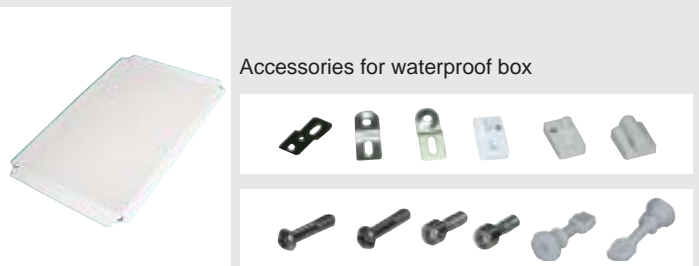


Dimensions for mounting plate

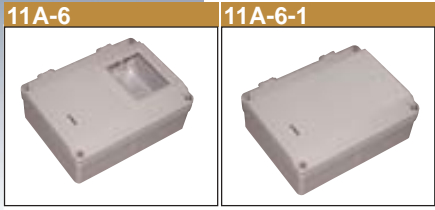
Unit: mm

	T1	T2	T3	T4	L1	L2	L3	L4	H1	H2
11A-1	222	216	211	184.5	146	139	134	128	6	49
11A-2	187	180	177	152	120	112	108	102	20	50
11A-3	120	114	108	83	80	73	68	63	10	45
11A-4	222	216	209	183	146	138	134	130	25	53
11A-5	64	57	53	-	58	51	47	-	5	30
11A-10	160	153.5	146	114	100	93.5	85	76	19	46
11A-12	120	113	106	99	120	111	104	8	23	60

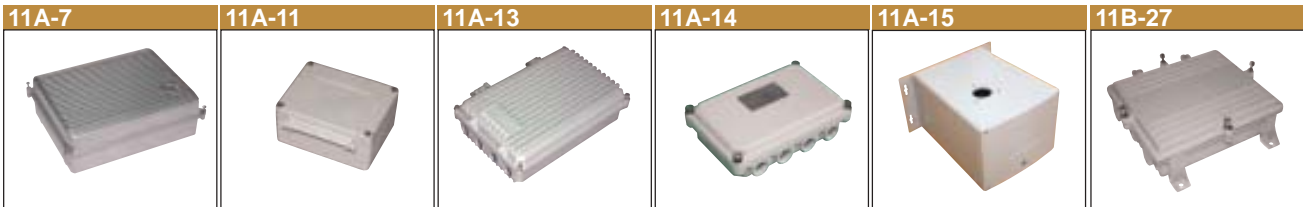
For model	Length	Width	Height	Order No.
11A-1	210	130	4	PJ11A1
11A-2	174	106	4	PJ11A2
11A-3	108	67	4	PJ11A3
11A-4	210	132	4	PJ11A4
11A-5	51	45	4	PJ11A5
11A-10	147.5	87.5	4	PJ11A10
11A-11	107	105	4	PJ11A11



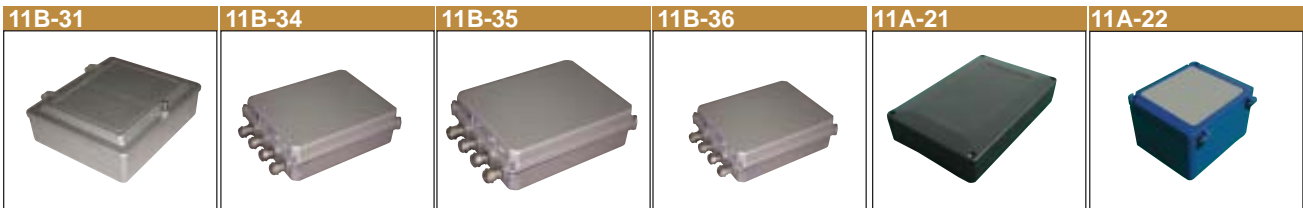
Die-cast control box



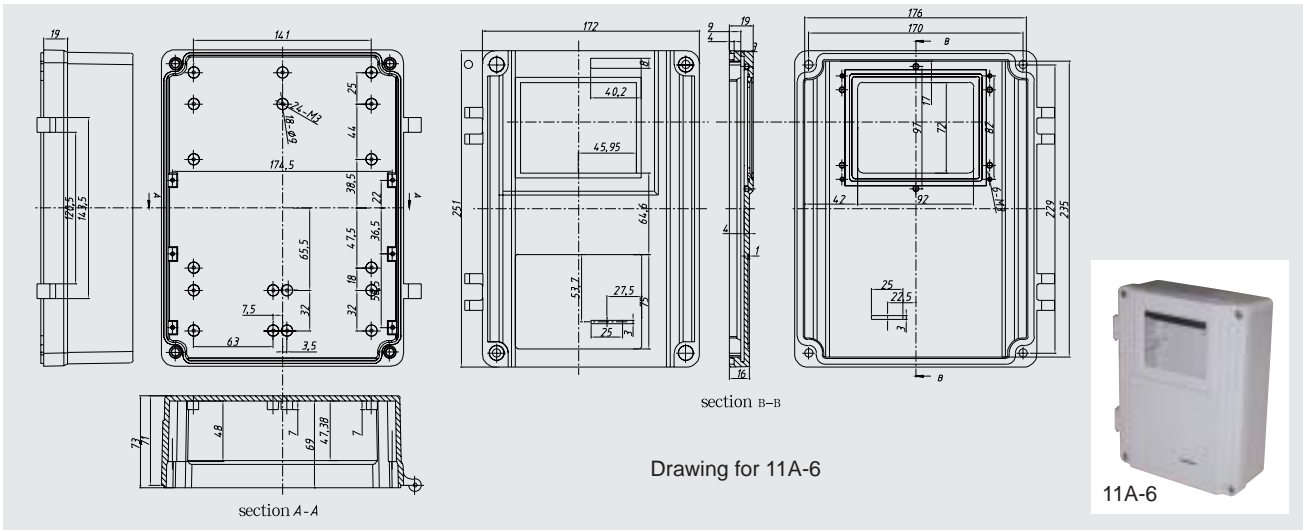
11A-6:251x192x90 11A-6-1:251x192x90



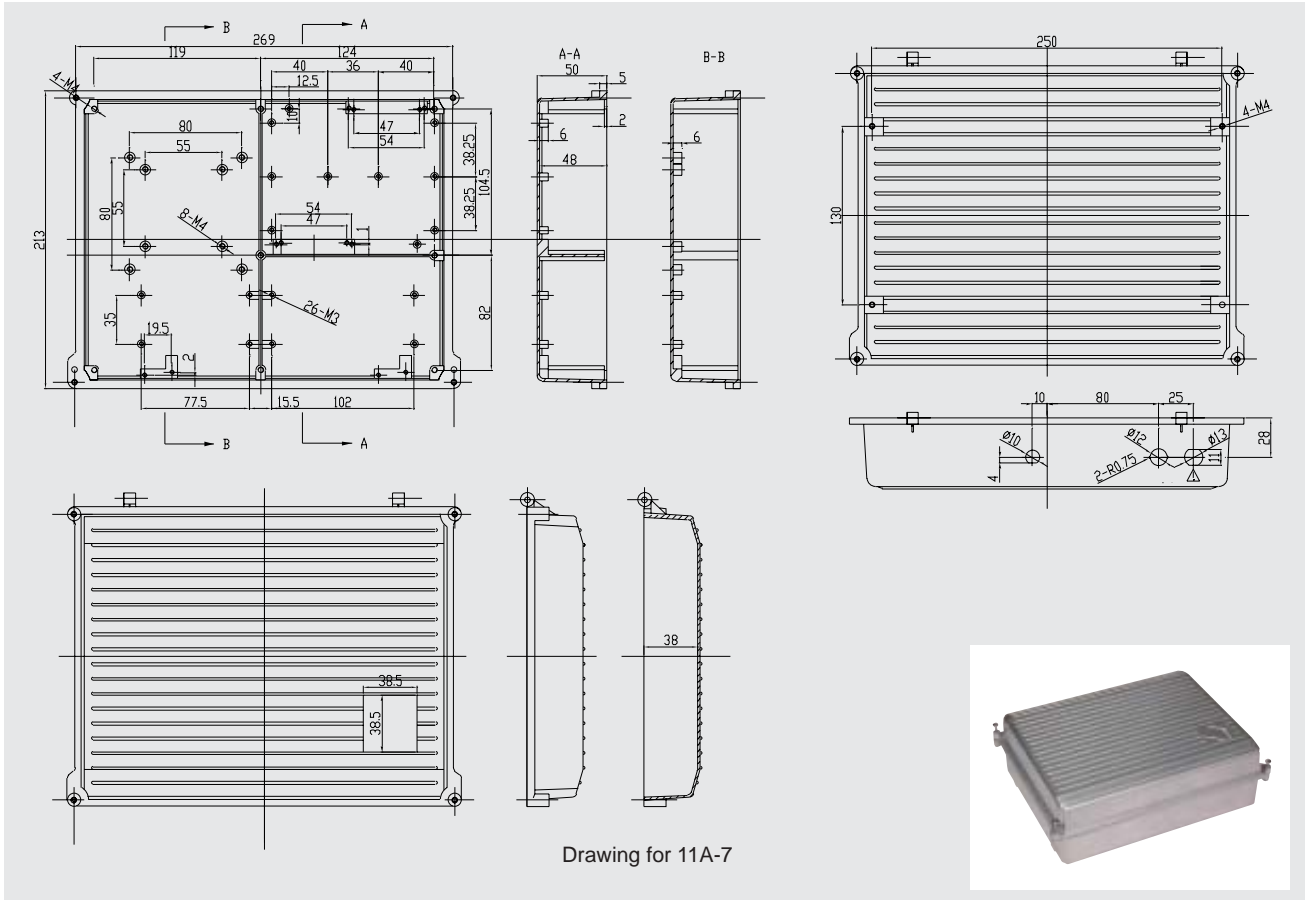
11A-7:260x205x90 11A-11:115x100x56 11A-13: 280x199x90 11A-14:148x98x43 11A-15:255x127x200 11B-27 Inside:220x190x52



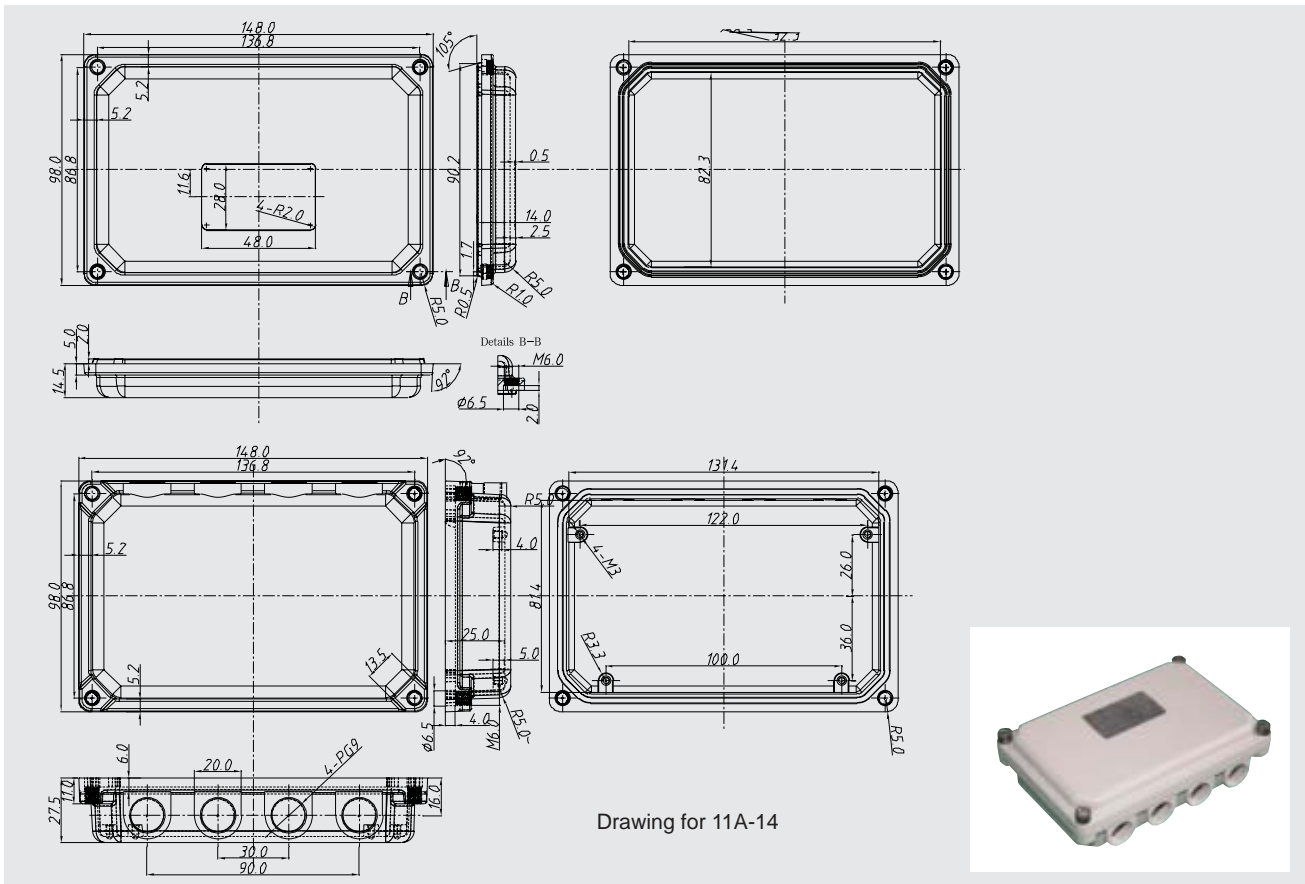
11B-34 Inside: 245x215x58.5 11B-31 Inside: 262x202x82 11B-31 Inside: 292x232x102 11B-31 Inside: 232x172x62 11A-21:180x120x37 11A-22:120x100x70



11 Sealed aluminum enclosure

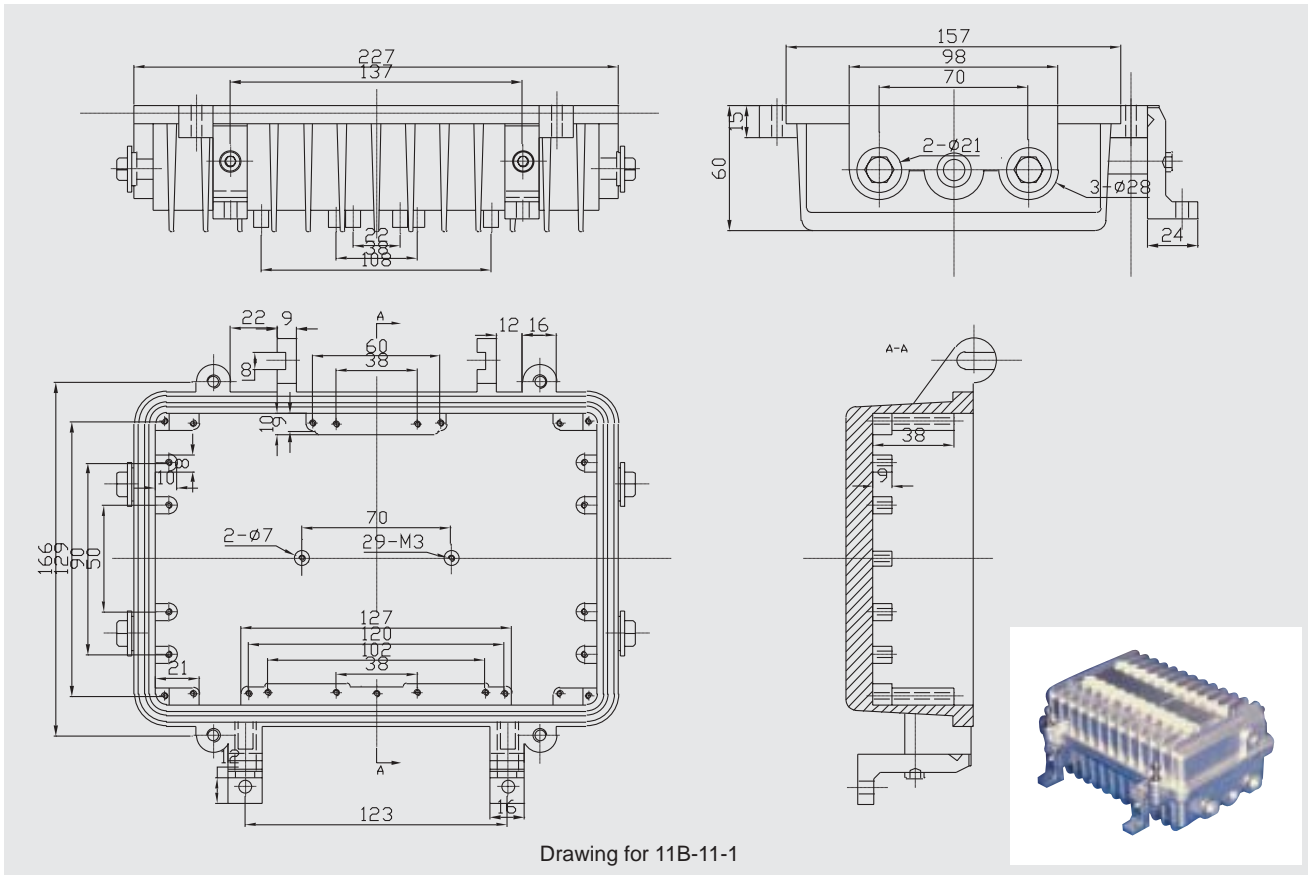


Drawing for 11A-7






Drawing for 11A-14

11 Sealed aluminum enclosure



13 Cable gland

13-1	PG	TABLE 1	PM	TABLE 2																																										
 13-1: PG11x40	 <p>PG16 PG13.5 PG11 PG9 PG7</p>	<table border="1"> <thead> <tr> <th>Model</th> <th>Thread</th> <th>Dia. of cable</th> </tr> </thead> <tbody> <tr> <td>PG7</td> <td>M12x1.5</td> <td>ø3-4</td> </tr> <tr> <td>PG9</td> <td>M16x1.5</td> <td>ø4-7</td> </tr> <tr> <td>PG11</td> <td>M18x1.5</td> <td>ø6-8.5</td> </tr> <tr> <td>PG13.5</td> <td>M20x1.5</td> <td>ø8-10</td> </tr> <tr> <td>PG16</td> <td>M22x1.5</td> <td>ø10-13.5</td> </tr> <tr> <td>PG21</td> <td>M28x2</td> <td>ø13.5-15.5</td> </tr> <tr> <td>PG29</td> <td>M36x2</td> <td>ø18-23</td> </tr> </tbody> </table>	Model	Thread	Dia. of cable	PG7	M12x1.5	ø3-4	PG9	M16x1.5	ø4-7	PG11	M18x1.5	ø6-8.5	PG13.5	M20x1.5	ø8-10	PG16	M22x1.5	ø10-13.5	PG21	M28x2	ø13.5-15.5	PG29	M36x2	ø18-23	 <p>PM22 PM20 PM18 PM16 PM12</p>	<table border="1"> <thead> <tr> <th>Model</th> <th>Thread</th> <th>Dia. of cable</th> </tr> </thead> <tbody> <tr> <td>PM12</td> <td>M12x1.5</td> <td>ø3-4</td> </tr> <tr> <td>PM16</td> <td>M16x1.5</td> <td>ø4-7</td> </tr> <tr> <td>PM18</td> <td>M18x1.5</td> <td>ø6-8.5</td> </tr> <tr> <td>PM20</td> <td>M20x1.5</td> <td>ø8-10</td> </tr> <tr> <td>PM22</td> <td>M22x1.5</td> <td>ø10-13.5</td> </tr> </tbody> </table>	Model	Thread	Dia. of cable	PM12	M12x1.5	ø3-4	PM16	M16x1.5	ø4-7	PM18	M18x1.5	ø6-8.5	PM20	M20x1.5	ø8-10	PM22	M22x1.5	ø10-13.5
Model	Thread	Dia. of cable																																												
PG7	M12x1.5	ø3-4																																												
PG9	M16x1.5	ø4-7																																												
PG11	M18x1.5	ø6-8.5																																												
PG13.5	M20x1.5	ø8-10																																												
PG16	M22x1.5	ø10-13.5																																												
PG21	M28x2	ø13.5-15.5																																												
PG29	M36x2	ø18-23																																												
Model	Thread	Dia. of cable																																												
PM12	M12x1.5	ø3-4																																												
PM16	M16x1.5	ø4-7																																												
PM18	M18x1.5	ø6-8.5																																												
PM20	M20x1.5	ø8-10																																												
PM22	M22x1.5	ø10-13.5																																												

Features:

1. Designed to meet IP68
2. Screw thread of PM and PG
3. Temperature range: Static: $-40^{\circ}\text{C} \sim 100^{\circ}\text{C}$; Dynamic: $-20^{\circ}\text{C} \sim 80^{\circ}\text{C}$.
4. With O ring for being waterproof and dustproof

Material:

1. Body: PA66
2. Seal: Butadiene-acrylonitrile rubber
3. O ring: Butadiene-acrylonitrile rubber

Standard configuration:

One body, One seal, One O ring, One Slide nut, One nut

Description:

1. Check the above tables to compare dia. of cable. table1:for PG, table 2:PM
2. Not suitable for applications of anti-explosion

