



The 17 series is a family of hand held enclosures, they are suitable for sorts of hand held instrument controllers, test equipment, medical devices and other meter

FEATURES

- All of 17 series enclosures are moulded in high quality ABS plastic
- Temperature range: -20 °C – 60 °C
- Flammability rating: UL94HB (UL94V0 available on requirement)
- Offering a wide range of sizes
- Many choices of different constructions such as closed or cut-out, with or without battery compartment
- Some of hand held enclosures are with rubber keyboard
- Custom special colors and material available upon request

NOTE

1. We can accept customization of mold on condition that you undertake the cost of the mold
2. For the bigger order (Over 500 pieces), material of ROHS or UL94-V0 is available.
3. A little difference of colors may exist for different order, but we make it similar as possible as we can.

17 Hand held enclosure

17-1  LCD:65x43 17-1:198x107x97	17-1-1  LCD:65x43 17-1-1:198x107x97	17-1-2  LCD:65x43 17-1-2:198x107x97	17-2  17-2:231x118x95	17-2-1  17-2-1:231x118x95	17-4  17-4(With B.C.) 17-4-1(Without B.C.) 17-4-1:230x120x42 17-4:230x120x42
17-4-2  17-4-2:230x120x42	17-5  17-5(With B.C.) 17-5-1(Without B.C.) LCD: 43X80 17-5:235x131x43 17-5-1:235x131x43	17-6  (Without B.C.) LCD: 32x71 17-6:176x100x30	17-6-7  17-6-7:176x100x40	17-7  17-7(With B.C.) 17-7-1(Without B.C.) 17-7:176x100x40 17-7-1:176x100x30	17-8  (Without B.C.) LCD:21X66 17-8:176x100x30
17-9  LCD:40X84 17-9:190x105x32	17-10  LCD:33X75 17-10:150x95x28	17-10-1  17-10-1:150x95x28	17-10-2  17-10-2:150x95x28	17-11  LCD:17X61 17-11:169x88x34	17-13  17-13:179x95x33
17-13-1  17-13-1:179x95x33	17-14  17-14:188x99x42	17-15  17-15:150x80x30	17-16  17-16:120x60x30	17-17  17-17-1 17-17 17-17-2 17-17:90x50x17 17-17-1:90x50x24 17-17-2:90x50x17	17-18  17-18:208x140x50
17-18-1  with a hole closed to left edge of rear panel 17-18-1:208x140x50	17-19  17-19:208x140x50	17-20  LCD:24X62 17-20:185x82x42	17-21  (capability of 4 AA batteries) 17-21 17-21-1 17-21:185x85x40	17-22  LCD:54X62 17-22:180x74x30	17-23  17-23:175x93x40
17-27  LCD:24x62 17-27:185x76x31	17-28  17-28:125x74x22	17-28-1  17-28-1:125x74x22	17-29  17-29:142x82x40	17-29-1  17-29-1:142x82x40	17-30  (capability of 4 AA batteries) LCD:42x60 17-30:128x70x28
17-32  17-33 capability of 2 AA batteries 17-32 17-32:128x65x26	17-33-1  17-33-1:130x68x22	17-33-2  17-33-3 17-33-2 17-33-2:130x68x22	17-34  LCD:20x58 17-34:140x75x30	17-37/38  (B.C. of 9V) 17-38 (B.C. of 9V) LCD:37x60 17-37/38:148x68x23	17-39  (B.C. of 9V) LCD:30x53 17-39:128x64x25

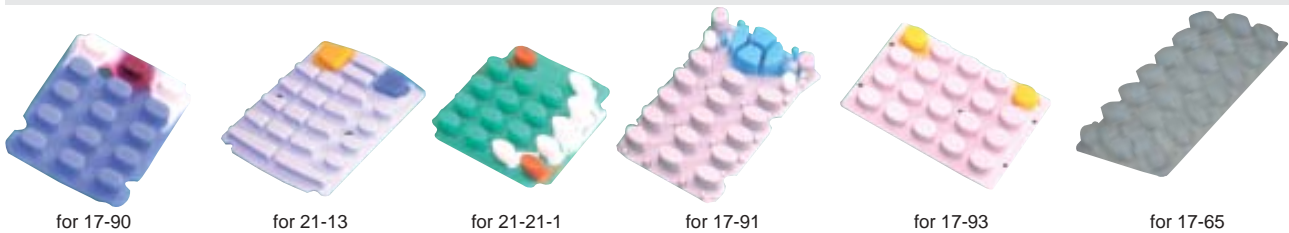
17 Hand held enclosure

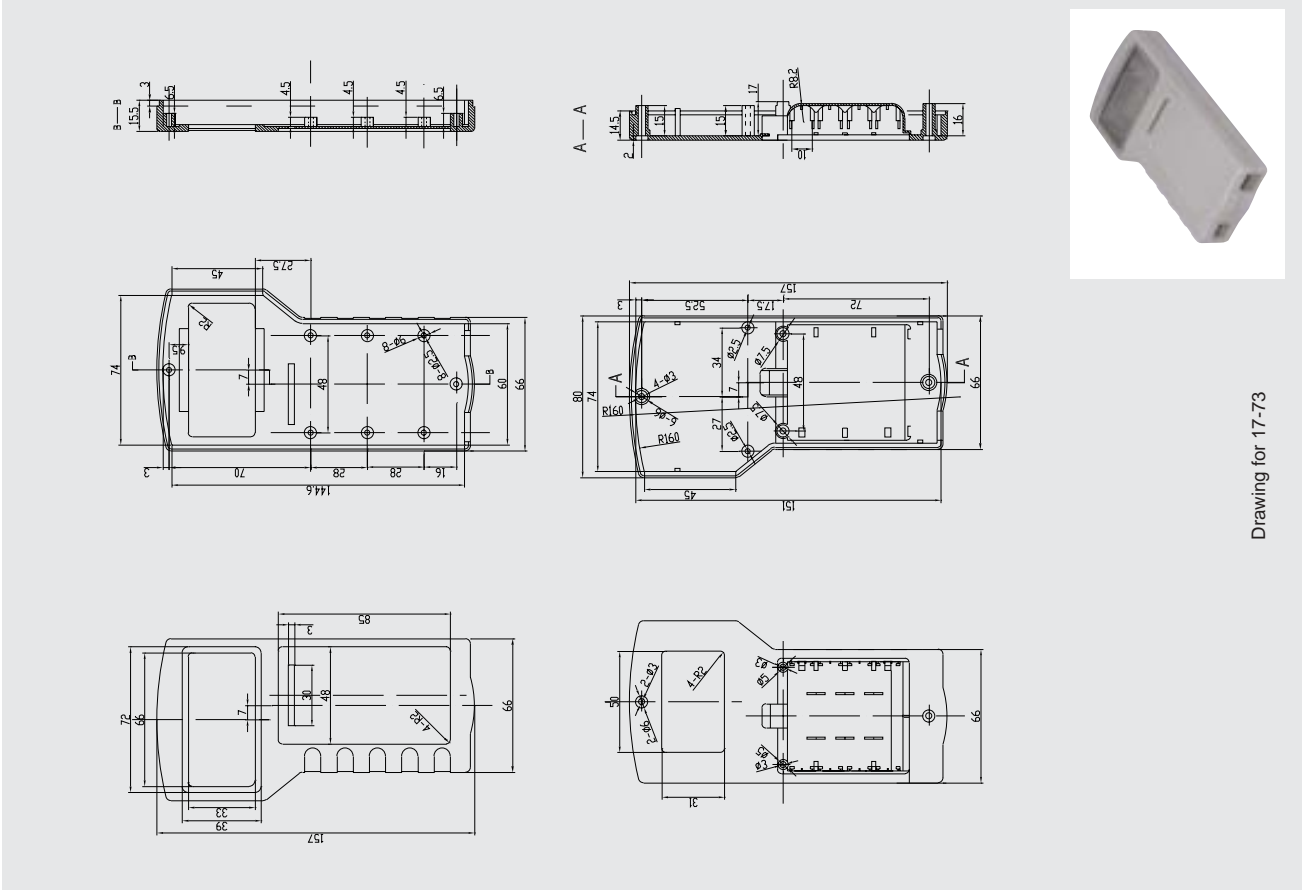
17-40 (B.C.of 9V)  17-40:128x64x25	17-40-1  17-40-1:128x64x25	17-42  17-42:145x105x25	17-44 (capability of 2 AA batteries) LCD:18x46  17-44:120x70x30	17-45  17-45:178x95x35	17-47  17-47:135x90x24
17-50 LCD:52x133  17-50:170x80x50	17-52 (capability of 2 AA batteries) LCD:17x54  17-52:130x75x30	17-53 LCD: 21x53  17-53:110x70x30	17-56  17-56:90x65x15	17-59 LCD:16x43  17-59:130x70x27	17-60  17-60:188x126x42
17-63 LCD:47x66  17-63:140x80x36	17-64  17-64:102x62x17	17-65 LCD:23x42  17-65:192x63x25	17-65-1  17-65-1:192x63x25	17-66 LCD:29x67  17-66:142x92x32	17-66-1 Without hole in the left side  17-66-1:142x92x32
17-67 LCD:44x69  17-67: 200x85x30	17-67-1  17-67-1	17-67-2  17-67-2	17-68 LCD:72.5x34  17-68:100x78x29	17-69 LCD:62x44  17-69:228x98x39 – 60	17-69-1  17-69-1:228x98x39 – 60
17-70  17-70:178x45x21	17-72 LCD:25x45  17-72:120x60x25	17-73 LCD:32x65  17-73:155x80x25	17-73-1 LCD:32x65  17-73-1:155x80x25	17-73-2  17-73-2:155x80x25	17-73-3  17-73-3:155x80x25
17-74 LCD:39x72  17-74: 130x102x40	17-75 LCD:43x29  17-75:185x68x30	17-76  17-76:165x98x28	17-77  17-77: 88x70x28	17-77-1  17-77-1:165x98x28	17-77-2  17-77-2: 88x70x28
17-78  17-78: 88x58x32	17-79  17-79: 98x68x35	17-80 LCD:58x27  17-80: 180x102x40	17-81  17-81:105x50x26	17-82  17-82: 156x82x30	17-83 LCD:60x41.5  17-83: 200x130x89

17 Hand held enclosure

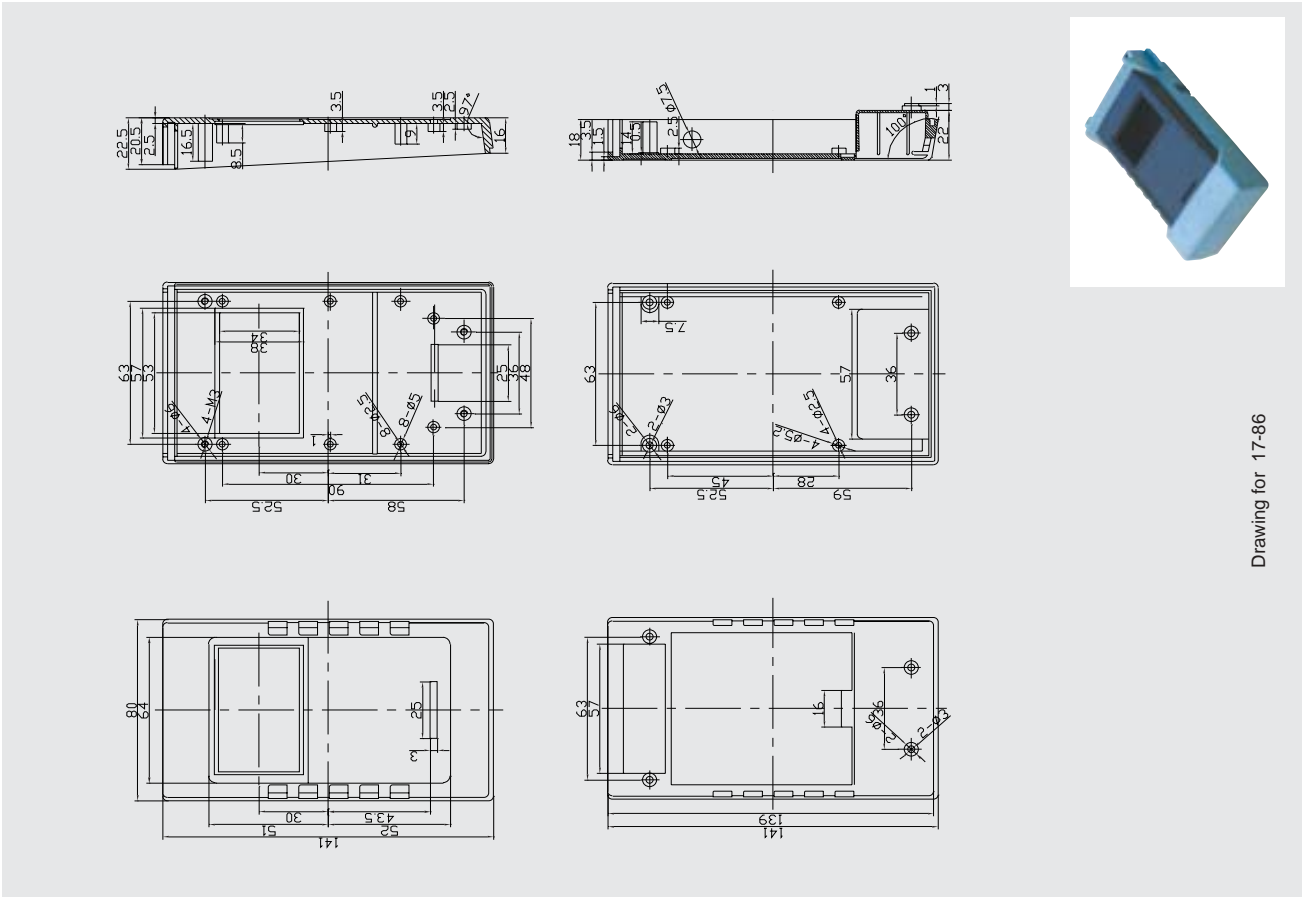
 17-84: 160x60x40	 17-85: 148x80x35	 17-86: 140x75x40	 17-87: 195x100x33~50	 LCD:49x69.5 17-87-1: 195x100x33~50	 17-89: 235x100~120x55~75
 17-89-1: 235x100~120x55~75	 LCD:57.5x43.5 17-90: 135x65x25~28.5	 17-90-1: 135x65x25~28.5	 LCD:42x46.5 17-91: 140x65x17~20	 LCD:66x33 17-92: 155x80x28	 17-93: 146x78x23
 17-94: 160x81x32	 17-95: 160x69x81.5	 17-96: 220x96x37	 17-97: 150x95x36	 17-98: 185x95x38	 17-99: 155x76x66
 17-100: 178x106x37	 17-101: 146x76x30	 17-102: 235x106x50	 17-103: 195x94.5x44.5	 17-105: 183x54x35	 17-106: 152x67x26
 17-107: 168x102x47	 17-108: 159x82x45	 17-109: 125x60x27	 17-112: 195x94.5x44.5	 17-113: 185x85x40	

Rubber keyboard

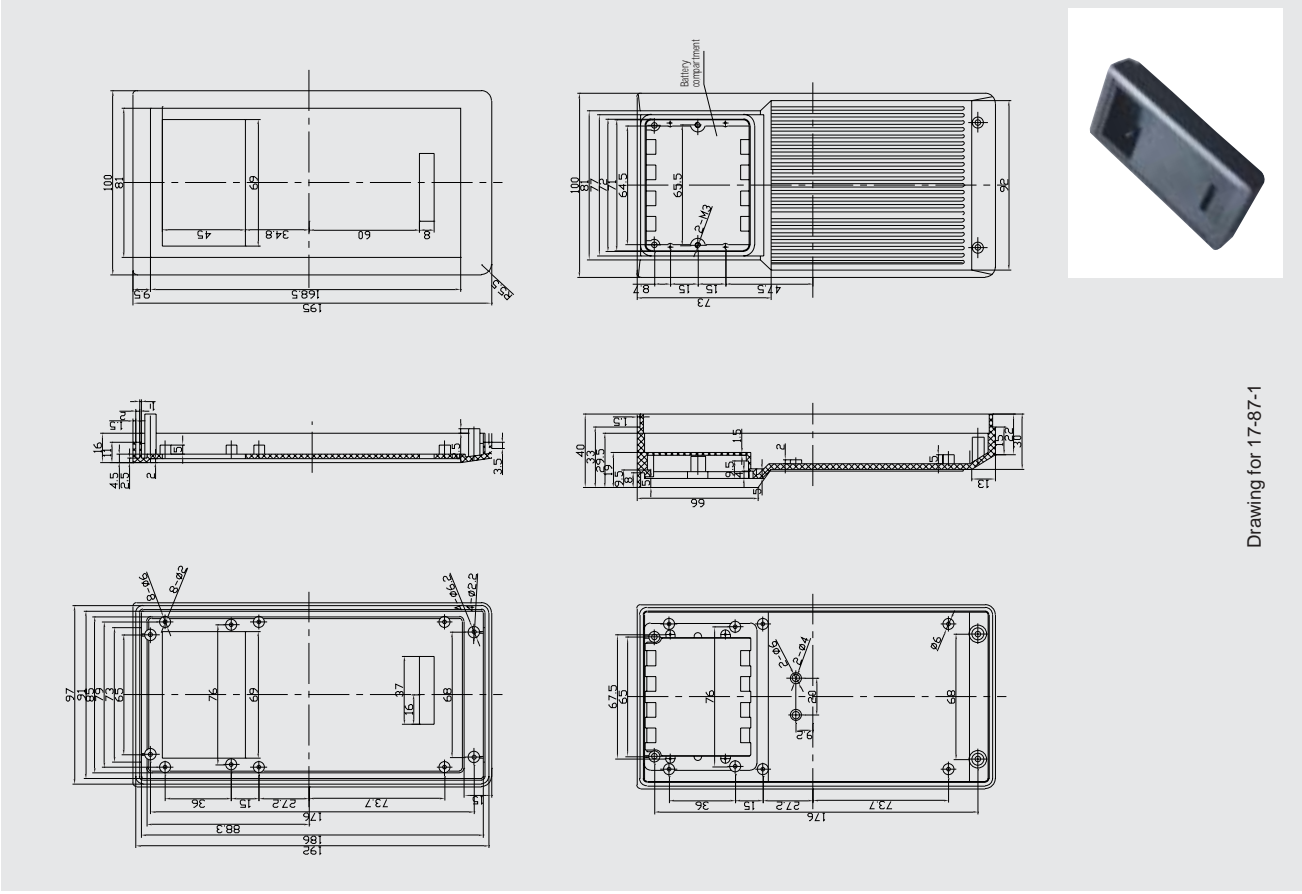




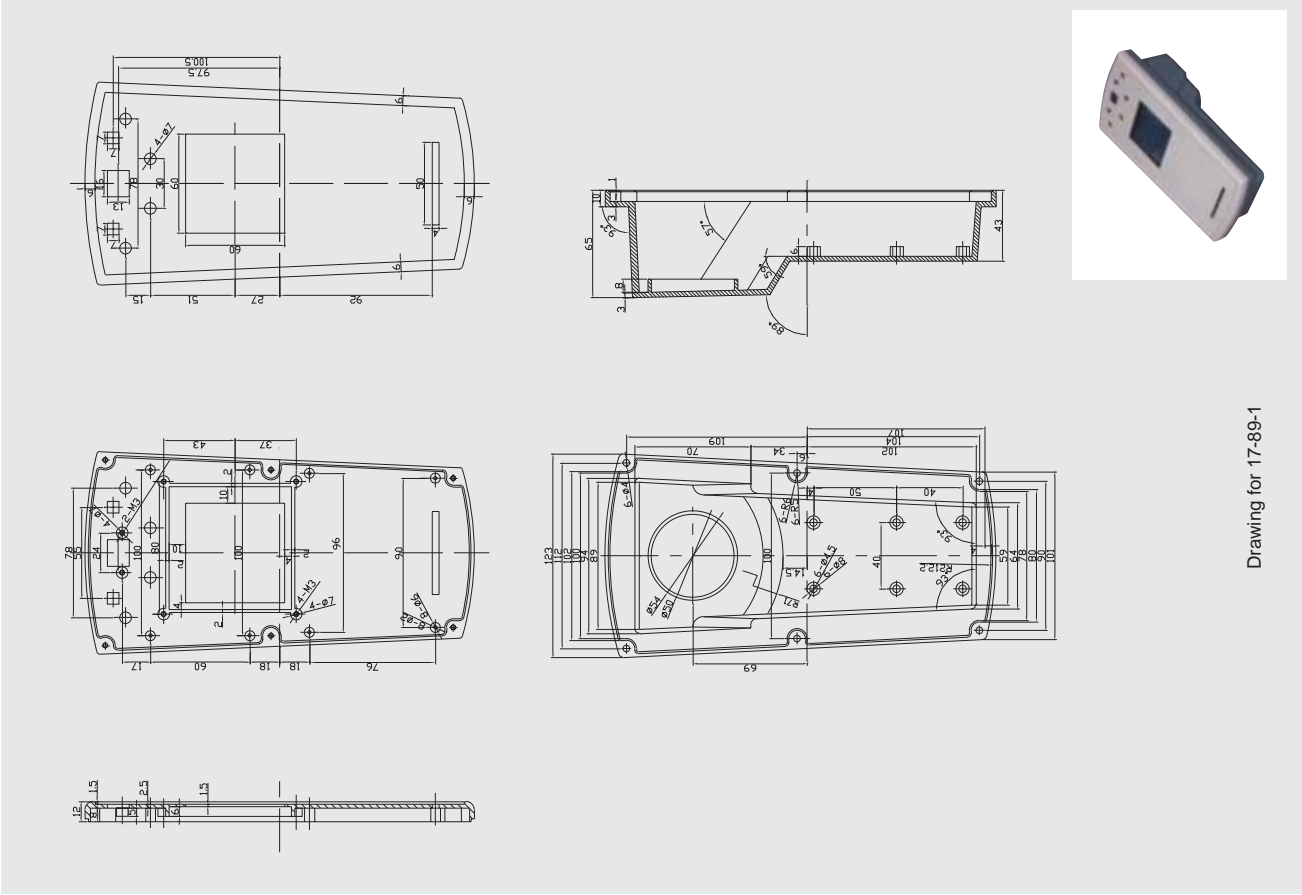
Drawing for 17-73



Drawing for 17-86

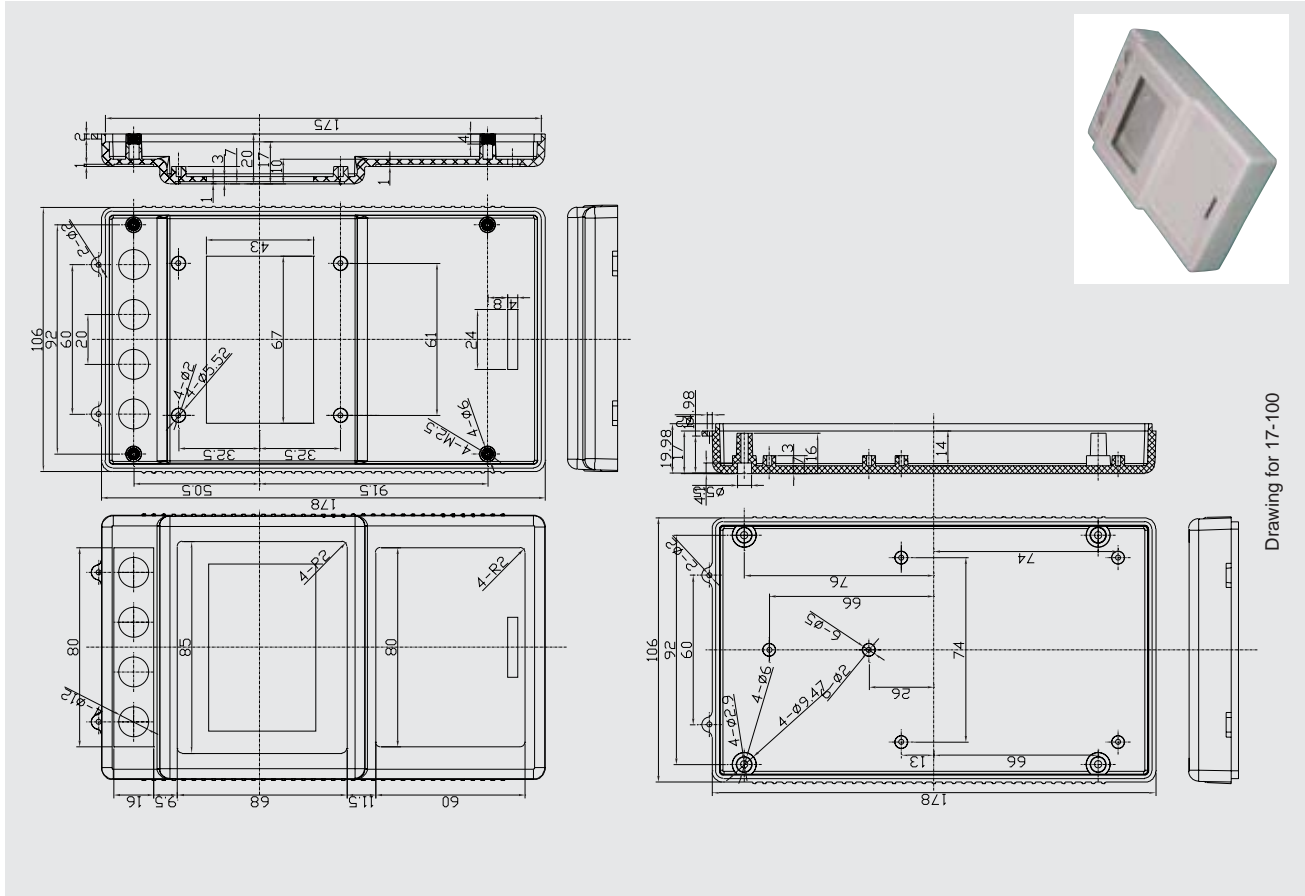


Drawing for 17-87-1

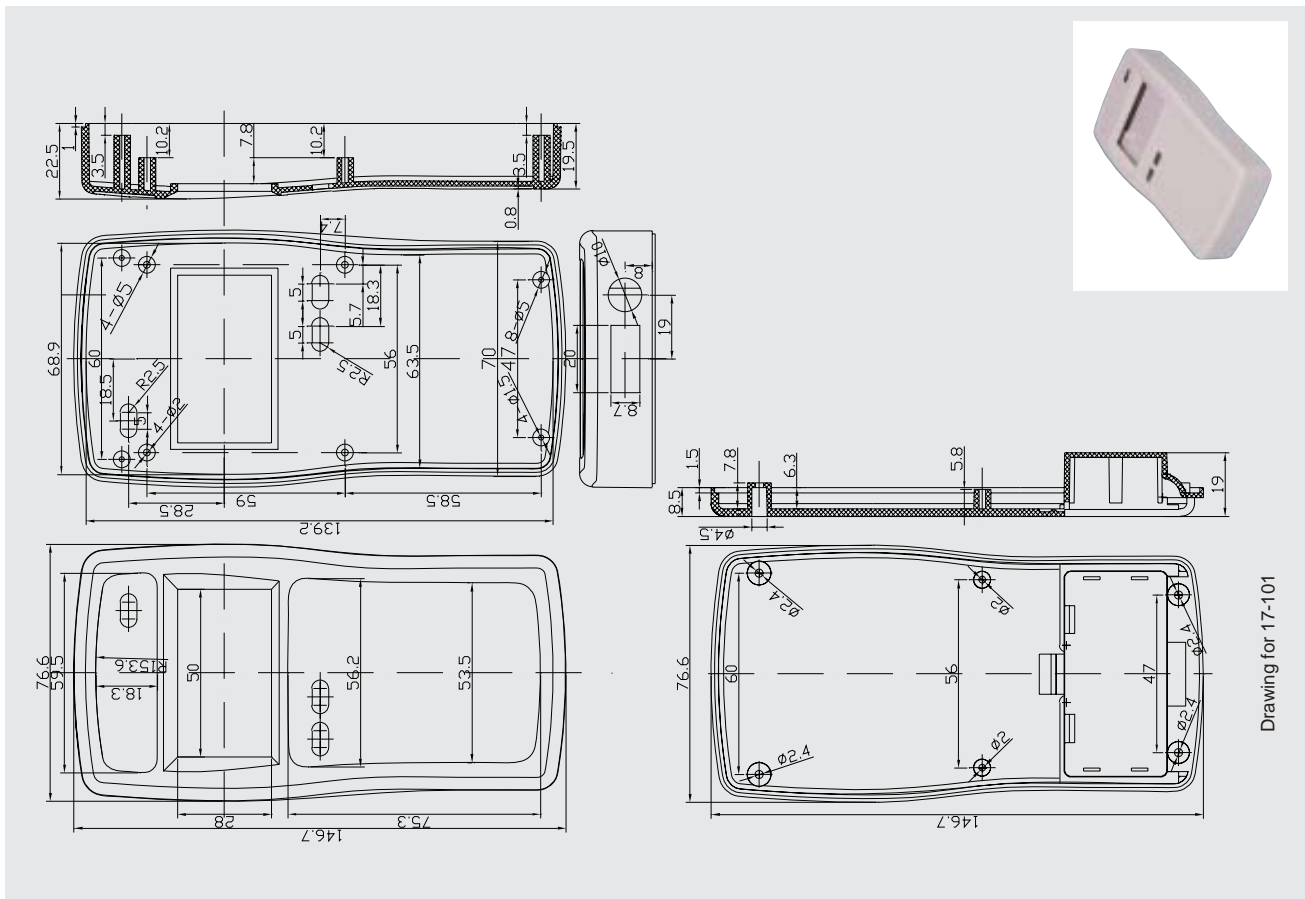


Drawing for 17-89-1





Drawing for 17-100



Drawing for 17-101